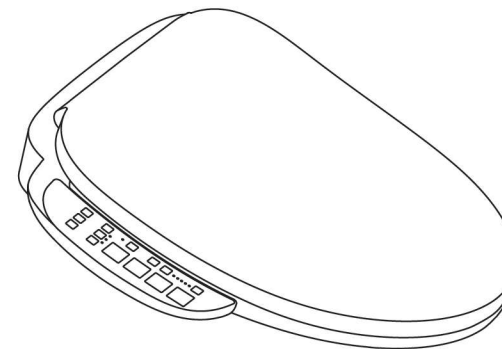


TABLE OF CONTENTS

● BEFORE USING THE PRODUCT	01
SAFEGUARDS	01
GROUNDING INSTRUCTIONS	02
GARANTIES IMPORTANTES.....	03
● SAFETY PRECAUTIONS	05
● PARTS DIAGRAM	09
PRODUCT OVERVIEW	09
CONTROL PANEL	10
● PRODUCT INSTALLATION	11
TOOLS NEEDED	11
PARTS INCLUDED	11
BEFORE INSTALLATION	12
INSTALLATION STEPS	13
● PRODUCT OPERATION	15
BASIC FUNCTIONS	15
DRYER	17
UV STERILIZATION	17
OTHER FUNCTIONS	18
RESTORING FACTORY SETTINGS	18
MAINTENANCE	19
TROUBLESHOOTING	21
● PRODUCT INFORMATION	23
SPECIFICATIONS	23
MODEL COMPARISON CHART.....	24
● WARRANTY	25
● CONTACT US	26



LUXE Bidet®

Website: www.LuxeBidet.com
Email: customercare@luxebidet.com
Phone: 858-360-7780
Fax: 858-876-1559

Luxe Bidet HQ
 7770 Regents Rd. 113-632
 San Diego, CA 92122
 United States

Thank you for purchasing the Luxelet E850. This electronic toilet seat is intended for household use only. The product should be installed following the installation instructions in this manual. Please read this manual carefully and keep it for future reference.

BEFORE USING THE PRODUCT

SAFEGUARDS

IMPORTANT! Read all instructions before use. When using electrical products, basic safety precautions should always be followed.

DANGER – To reduce the risk of electrocution:

1. Do not use while still wet from bathing/showering or swimming.
2. Do not place or store product where it can fall or be pulled into a tub or sink.
3. Do not place or drop into water or any other liquid.
4. Do not reach for a product that has fallen into water. Unplug product immediately, then remove from water.

WARNING - To reduce the risk of burns, electrocution, fire, or injury:

1. Close supervision is necessary when this product is used by or near children or handicapped persons.
2. Use this product for its intended use only and as described in this manual. Only use attachments recommended by the manufacturer.
3. Never operate this product if it has a damaged cord or plug, if it is not working properly, if it has been dropped or damaged, or dropped into water.
4. Keep the cord away from heated surfaces.
5. Do not block the air openings of the product or place the product on a soft surface, such as a bed or couch, where the air openings may be blocked. Keep the air openings free of lint, hair, and the like.
6. Never use while drowsy or asleep.
7. Do not drop or insert any object into any opening or hose.
8. Do not use outdoors or operate where aerosol (spray) products are being used or where oxygen is being administered.
9. Connect this product to a properly grounded outlet only. See Grounding Instructions on the next page for more information.

BEFORE USING THE PRODUCT

GROUNDING INSTRUCTIONS

This product should be grounded. In the event of an electrical short circuit, grounding reduces the risk of electric shock by providing an escape wire for the electric current. This product is equipped with a cord having a grounding wire with a grounding plug. The plug must be plugged into an outlet that is properly installed and grounded.

DANGER – Improper use of the grounding plug can result in a risk of electric shock.

If repair or replacement of the cord or plug is necessary, do not connect the grounding wire to any flat blade terminal. The grounding wire has a green outer surface that may or may not have yellow stripes. Check with a qualified electrician or serviceman if the grounding instructions are not completely understood, or if there is any doubt as to whether the product is properly grounded.

BEFORE USING THE PRODUCT

GARANTIES IMPORTANTES

Lors de l'utilisation de produits électriques, particulièrement en cas de la présence des enfants, il faut toujours suivre les précautions de sécurité basiques, y compris les suivants:

DANGER- Afin de réduire le risque d'électrocution:

1. Ne l'utilisez pas pendant le bain.
2. Ne placez ni ne stockez le produit dans la zone où il peut tomber ou être tiré dans la baignoire ou l'évier.
3. Ne placez ni ne déposez dans l'eau ou l'autre liquide.
4. Ne tendez pas la main à un produit qui est tombé dans l'eau. Débranchez-le immédiatement.

AVERTISSEMENT- Afin de réduire le risque de brûlures, d'électrocution, d'incendie ou de blessures de personnes.

1. Une surveillance étroite est nécessaire lorsque ce produit est utilisé par, sur ou près des enfants ou des invalides.
2. Ce produit est usé uniquement pour l'utilisation prévue par écrit dans ce manuel. N'utilisez pas les pièces jointes non recommandées par le fabricant.
3. Ne mettez jamais en fonction ce produit en cas qu'il contient un cordon ou une fiche endommagé, en cas que le produit ne fonctionne pas correctement, en cas qu'il a été tombé par terre ou endommagé ou tombé dans l'eau. Rendez le produit à un centre de service pour l'examen et la réparation.
4. Gardez une distance entre le cordon et des surfaces chauffées.
5. Ne bloquez jamais les ouvertures d'air du produit ni ne le placez sur une surface douce, par exemple un lit ou un divan, où les ouvertures d'air peuvent être bloquées. Il faut assurer les ouvertures d'air évités des peluches, des cheveux et autres choses assemblés.
6. Ne l'utilisez jamais pendant le sommeil ou la somnolence.
7. Ne laissez jamais ni ne placez d'objet dans une ouverture ou un tuyau.

BEFORE USING THE PRODUCT

8. Ne l'utilisez pas à l'extérieur, ni n'opérez dans la zone où les produits en aérosol (spray) sont utilisés, ou où l'oxygène est administré.

9. Ne connectez ce produit qu'à une prise correcte avec la mise à la terre. Voir les Instructions de mise à la terre.

CONSERVEZ CES INSTRUCTIONS

- a) Pour tous les produits mis à la terre:

INSTRUCTIONS DE MISE À LA TERRE

Ce produit doit être mis à la terre. En cas de court-circuit électrique, la mise à la terre réduit le risque de choc électrique en fournissant un fil d'échappement pour le courant électrique. Ce produit est équipé d'un cordon contenant un fil de mise à la terre avec une fiche de mise à la terre. La fiche doit être branchée sur une prise de courant qui est correctement installé et mis à la terre.

DANGER- L'utilisation incorrecte de la fiche de mise à la terre peut provoquer un risque d'électricité choc.

S'il est nécessaire de réparer ou remplacer le cordon ou la fiche, ne connectez pas le fil de mise à la terre sur un terminal à lame plate. Le fil isolé avec un surface extérieure qui est verte avec ou sans les rayures jaunes est le fil de mise à la terre.

Vérifiez avec un électricien ou d'un technicien qualifié, si les instructions de mise à la terre ne sont pas complètement bien comprises, ou en cas de doute si le produit est correctement mis à la terre.











SAFETY PRECAUTIONS

IMPORTANT! READ ALL INSTRUCTIONS BEFORE USING

Please carefully read this manual before use and keep for future reference.


















The following icons are used in this manual to indicate varying severities of hazards. Please abide by these precautions, otherwise serious consequences may occur.

NOTATION





WARNING	• • • •	Please pay close attention to avoid serious harm or accidents.
ATTENTION	• • • •	If not attentive, body or property damage may result.
	• • • •	Caution! Comply with guidelines.
	• • • •	Prohibited action!
	• • • •	Do not dismantle!
	• • • •	Keep away from direct contact with water or any liquid.
	• • • •	Do not touch this area!
	• • • •	Do not touch this area with wet hands!
	• • • •	Keep away from fire!
	• • • •	Operate as instructed.
	• • • •	Please unplug!
	• • • •	Please confirm it is grounded!

SAFETY PRECAUTIONS



WARNING

<p>Make sure the power supply is grounded. ▶ Otherwise, electric shock may occur. ▶ Please consult qualified electrician or serviceman if the power supply is not grounded.</p> 	<p>Do not place lit cigarettes or other ignited items on the product. ▶ Otherwise, fire may occur.</p> 
<p>Do not touch or plug in the cord with wet hands. ▶ Otherwise, electric shock may occur.</p> 	<p>Do not place lit cigarettes or other ignited items on the product. ▶ Otherwise, the device may be damaged or malfunction.</p> 
<p>Do not connect power cord if the cord is damaged or broken. ▶ Otherwise, electric shock or fire may occur.</p> 	
<p>The product must be connected to standard voltage power source (AC120V±10%, Max Current 15A). ▶ Otherwise, electric shock or fire may occur.</p> 	<p>When the seat or lid is broken, please unplug the power and shut down the water supply. ▶ Otherwise, electric shock or fire may occur.</p> 
<p>Do not forcefully pull, break, bend, strip, twist, or over squeeze the power cord and cable. ▶ Otherwise, electric shock or fire may occur.</p> 	<p>Unplug and clean the dust on the power cord with a dry cloth regularly. ▶ Otherwise, fire may occur due to bad insulation.</p> 
<p>The cord must be replaced by authorized personnel ▶ Otherwise, electric shock or fire may occur.</p> 	<p>Individuals who are handicapped (physically, mentally, or emotionally) must be accompanied during use. ▶ Otherwise, long-term use may cause low-grade burns.</p> 
<p>Please avoid installing the product while bathroom is wet. Do not splash water on the product. ▶ Otherwise, electric shock, fire, damage may occur.</p> 	<p>Children should not play with this product. ▶ Otherwise, injury may occur.</p> 
	<p>Do not dismantle this product to repair or remodel. Only Authorized personnel such as a qualified electrician should service the product. ▶ Otherwise, malfunctions may cause electric shock, fire, or injury.</p> 
	<p>Do not urinate on the product. ▶ Otherwise, electric shock may occur.</p> 
	<p>Do not use polluted water supply. ▶ Otherwise, the water may damage the device or harm the user.</p> 

SAFETY PRECAUTIONS

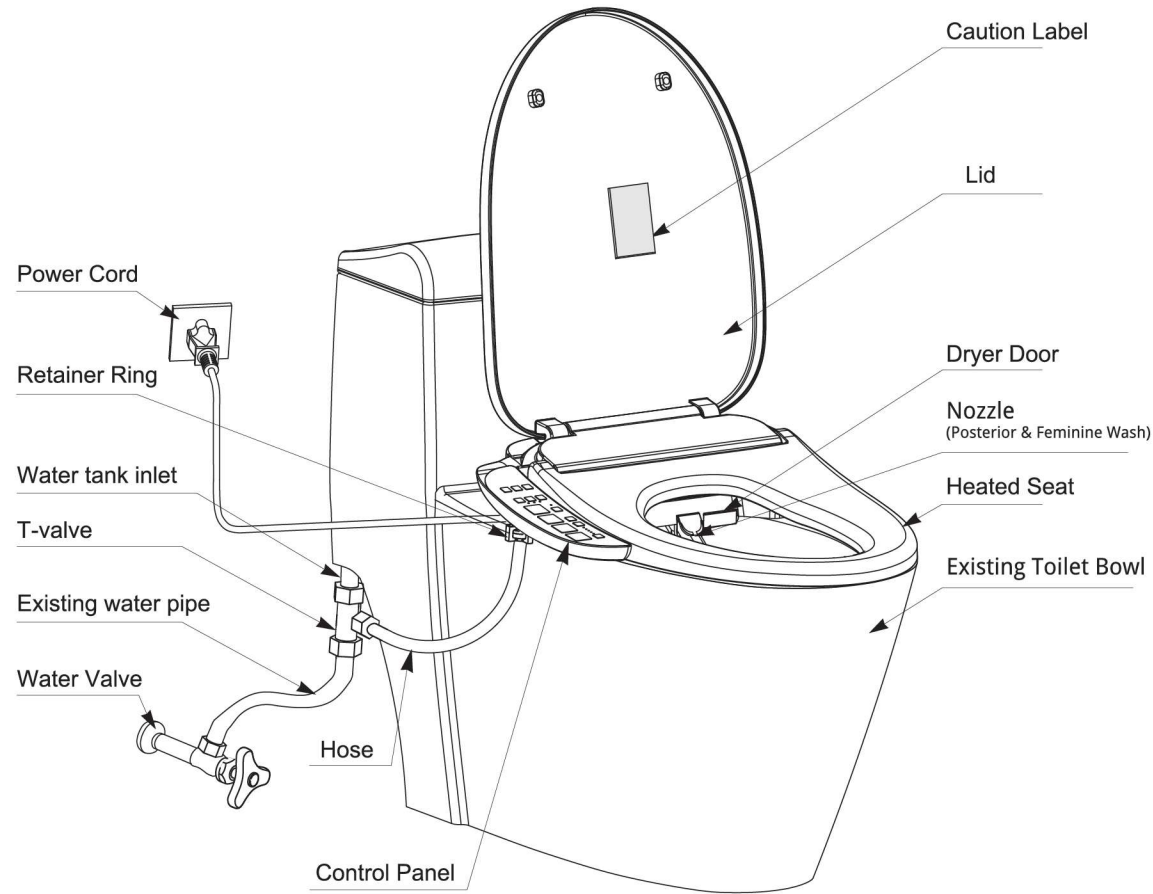
 ATTENTION	
<p>If using any chemical toilet bowl cleaner, be sure to wipe up any spills that splash onto the plastic areas of the product. Do not use any acidic chemical detergent. Only neutral detergents are permitted.</p> <p>► Otherwise, the plastic may break and cause body damage, electric shock, or fire.</p> <div style="text-align: center;">  </div>	<p>Do not stand, sit, or lean forcefully on the lid of the bidet toilet seat. Do not open or close the lid/seat ring forcefully to avoid damage.</p> <div style="text-align: center;">  </div>
<p>Please do not let water or detergent wet the bidet toilet seat or power plug.</p> <p>► Otherwise, there may be a risk of electric shock or fire.</p>	<p>Do not block the dryer door with hands or other objects. Do not cover the door during use.</p> <div style="text-align: center;">  </div>

SAFETY PRECAUTIONS

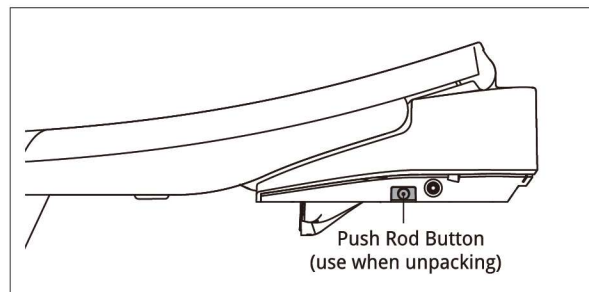
 WARNING	
<p>Do not use warm or heated temperature settings for extended periods of time.</p>	<p>Do not expose to direct sunlight or heating device.</p>
<p>Please make sure the user is fully seated (see image below). Otherwise, the cleaning or drying function will stop.</p> <div style="text-align: center;">  </div>	<p>Do not use a timer power source or external switch to turn the device on/off. The thermal cutoff device may cause danger.</p>
<p>Do not urinate on the nozzle.</p> <p>► Otherwise, the nozzle may become obstructed.</p>	<p>Please turn off the water supply before replacing the filter. Firmly attach the filter before opening the water supply.</p> <p>► Otherwise, leakage may occur.</p>
<p>Please use provided accessories to install the device. Do not use old parts.</p> <p>► Otherwise, leakage may occur.</p>	<p>Please unplug and close water sources to the device when away for extended periods of time.</p> <p>► Otherwise, leakage or fire may occur.</p>
<p>During power failure, unplug the device and close the water supply valve to prevent leaking.</p>	<p>In very low temperatures, the water within the device may freeze after long periods of disuse. To avoid damage, please warm the unit to melt the ice.</p>

PARTS DIAGRAM

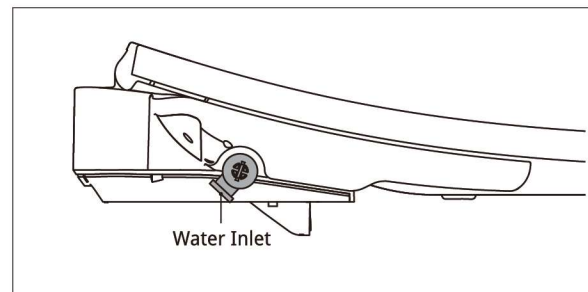
PRODUCT OVERVIEW



VIEW FROM THE RIGHT

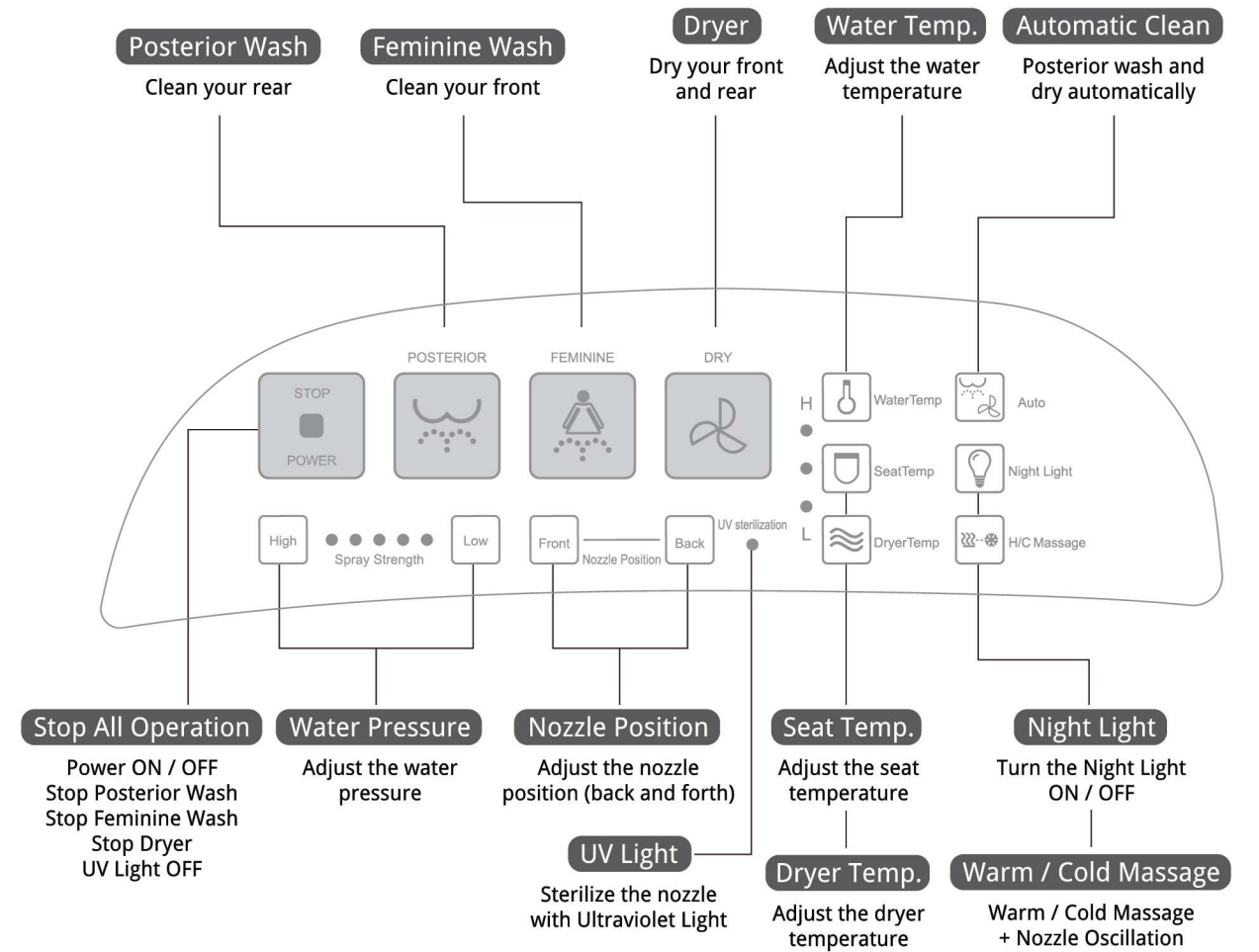


VIEW FROM THE LEFT



PARTS DIAGRAM

CONTROL PANEL



PRODUCT INSTALLATION

TOOLS NEEDED

Adjustable Wrench (1.02in+ width) **OR** Open End Wrench (0.91-1.02in)



>1.02in

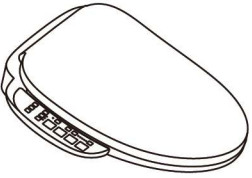
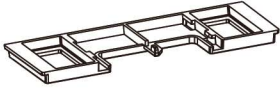
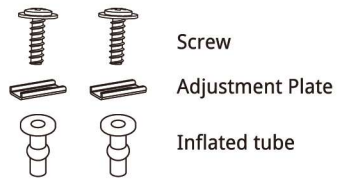
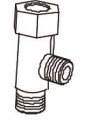
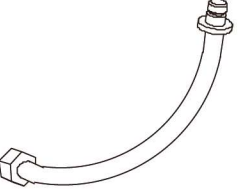
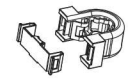

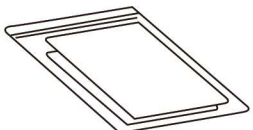
OR



Phillips ⊕ Screw Driver



PARTS INCLUDED

<p>Smart Bidet (1 set)</p> 	<p>Catch Plate (1 pc)</p> 	<p>Screw components (2 sets)</p>  <p>Screw Adjustment Plate Inflated tube</p>
<p>T-valve (1 pc)</p> 	<p>hose (1 pc)</p> 	<p>Collar (1 pc)</p> 
<p>Fixed Card (1 pc)</p> 	<p>Owner's Manual</p> 	

After opening the package, please confirm that you have received all parts listed above. If you are missing any parts, please contact us at www.LuxeBidet.com.

PRODUCT INSTALLATION

BEFORE INSTALLATION

IMPORTANT! Before installing the product, please make sure that you meet all the requirements listed below.

Power Requirements

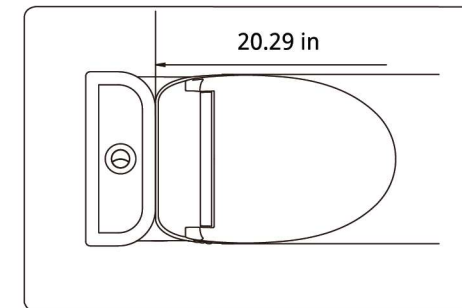
- ▶ The power rating should be within the required range (AC 120V ± 10%, Max current 15A above)
- ▶ The power outlet should be close enough to reach the power cord (1.5m) but far from where water can hit it.
- ▶ This product must be grounded.
 - The wiring should be installed by a professionally licensed electrician.
 - Please do not plug in the product before installation is complete to prevent malfunction.

Water Requirements

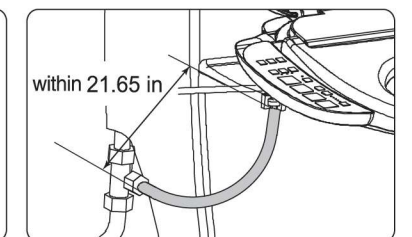
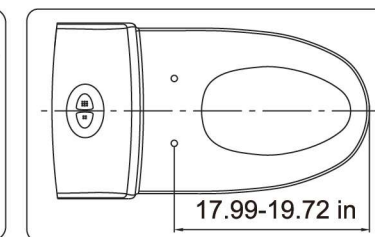
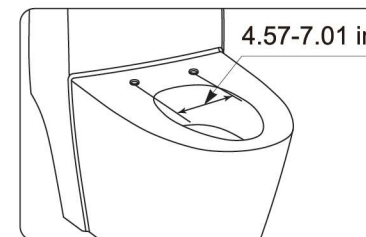
- ▶ The minimum dynamic water pressure required is 11.6 psi (0.8 kg / square cm)
- ▶ The maximum static water pressure required is 116 psi (8 kg / square cm).
- ▶ Water pressure below the min and max range above will affect the performance of the product.v

Sizing Requirements

- ▶ Please measure your toilet to make sure that there is enough space for the bidet (20.29 in long).



- ▶ The distance between the 2 mounting holes must be within 4.57-7.01 in.
- ▶ The distance from the filter to the bidet inlet should be 21.65 in or less.
- ▶ The distance between the mounting holes and the edge of the toilet bowl must be within 17.99-19.72 in.



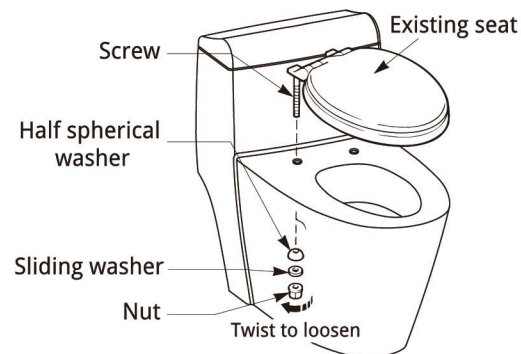
※The product has no Ground Fault Circuit Interrupter, It should be installed in the line with Ground Fault Circuit Interrupter, Otherwise, the accidental failure of this product may result in the loss of life or property.

PRODUCT INSTALLATION

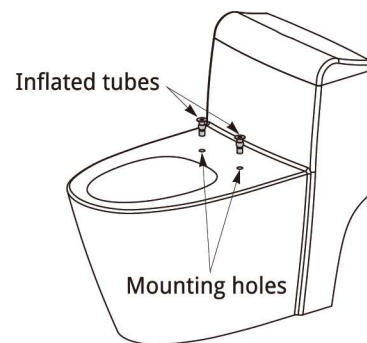
INSTALLATION STEPS

1 Install the electronic bidet seat

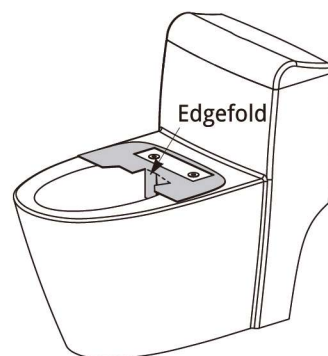
1. Remove the existing toilet seat.
 - (a) Remove the toilet seat mounting bolts.
 - (b) Remove the existing toilet seat from the toilet.



2. Insert the inflated rubber tube set into the mounting holes on the toilet bowl.

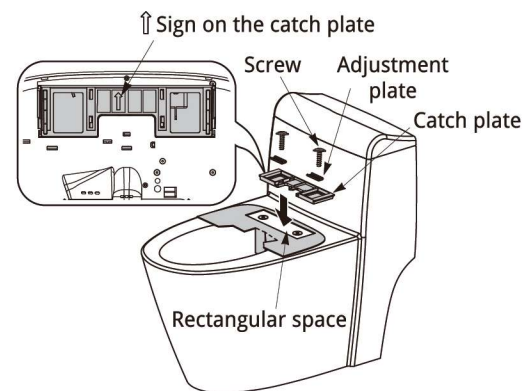


3. Place the Fixed Card on the toilet bowl where the mounting holes are. Make sure that the wash / dry gates are close to the rim and pointed down



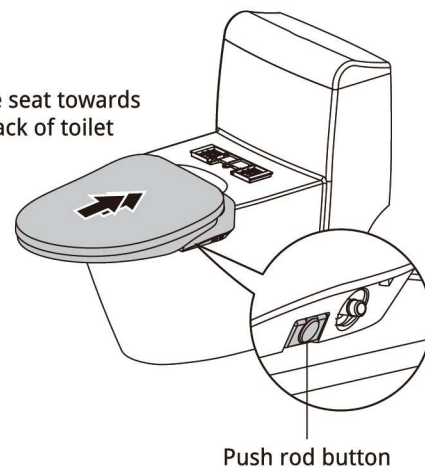
4. Install the Catch Plate
 - (a) Place the Catch Plate in the rectangular space of the Fixed Card. The arrow should point to the back of the toilet.
 - (b) Secure the Catch Plate using the adjustment plates and screws.

The ↑ sign should point towards the back of the toilet



5. Install the electronic toilet seat
 - (a) Remove Fixed Card.
 - (b) Press the push rod button and slide the seat into the Catch Plate.
 - (c) Adjust the position of the seat and loosen the screws to adjust position, if necessary.

Slide seat towards back of toilet

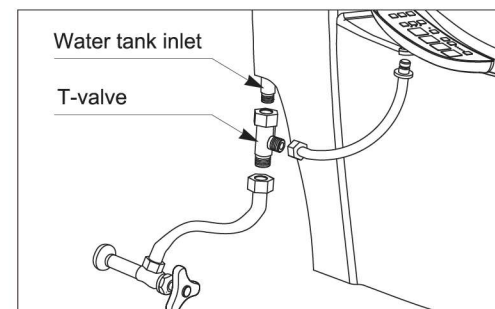


PRODUCT INSTALLATION

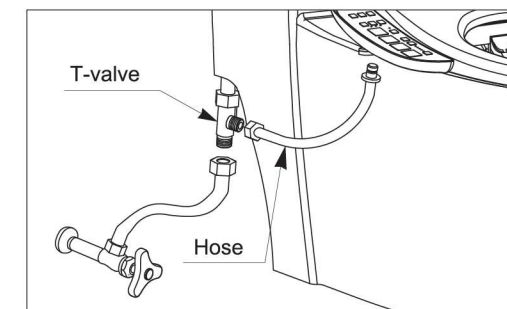
INSTALLATION STEPS (CONT.)

2 Install the filter and hoses

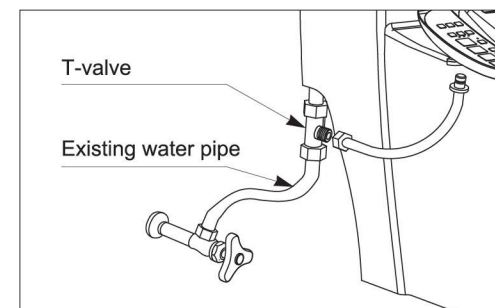
1. Connect T-valve to tank.



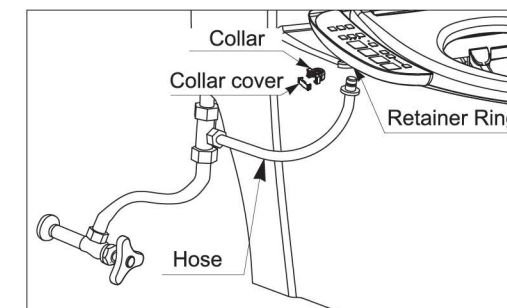
3. Connect the hose to T-valve.



2. Existing water pipe connect T-valve.

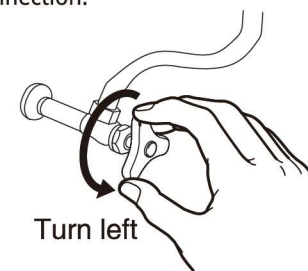


4. Connect the hose to bidet and then use collar to fix.



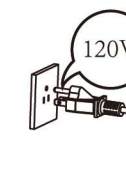
3 Turn on the water

1. Turn the water back on by turning the knob on the supply angle valve counter-clockwise until the valve is fully open.
2. Check all connections carefully and make sure that there is no water leakage from any connection.
 - (a) If there is leaking from a connection, retighten the connection.



4 Link the power

1. Insert the bidet plug into the outlet (120V).



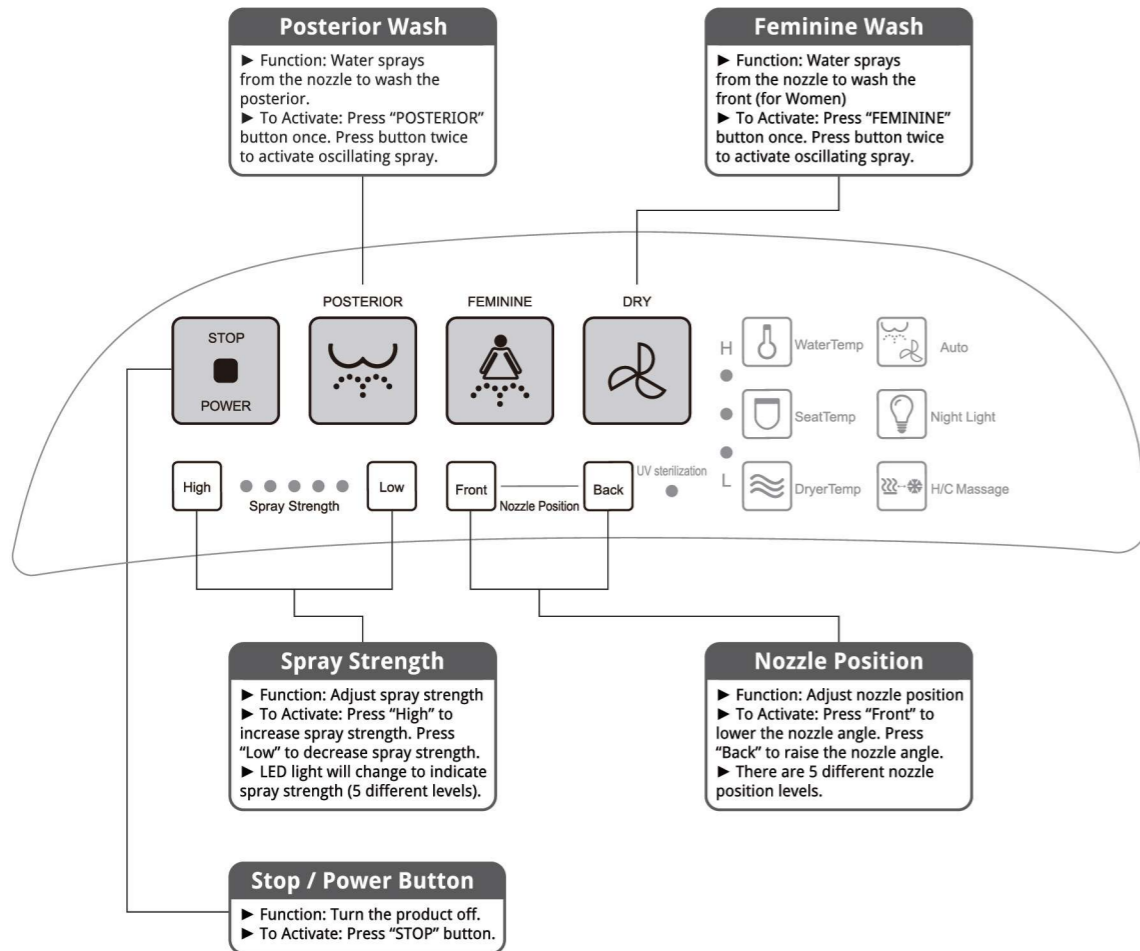
2. Confirm the power connection.
 - (a) Press and hold down the power button for 3 seconds to turn on the bidet seat.
 - (b) The spray strength indicator on the control panel should light up when the bidet turns on.



PRODUCT OPERATION

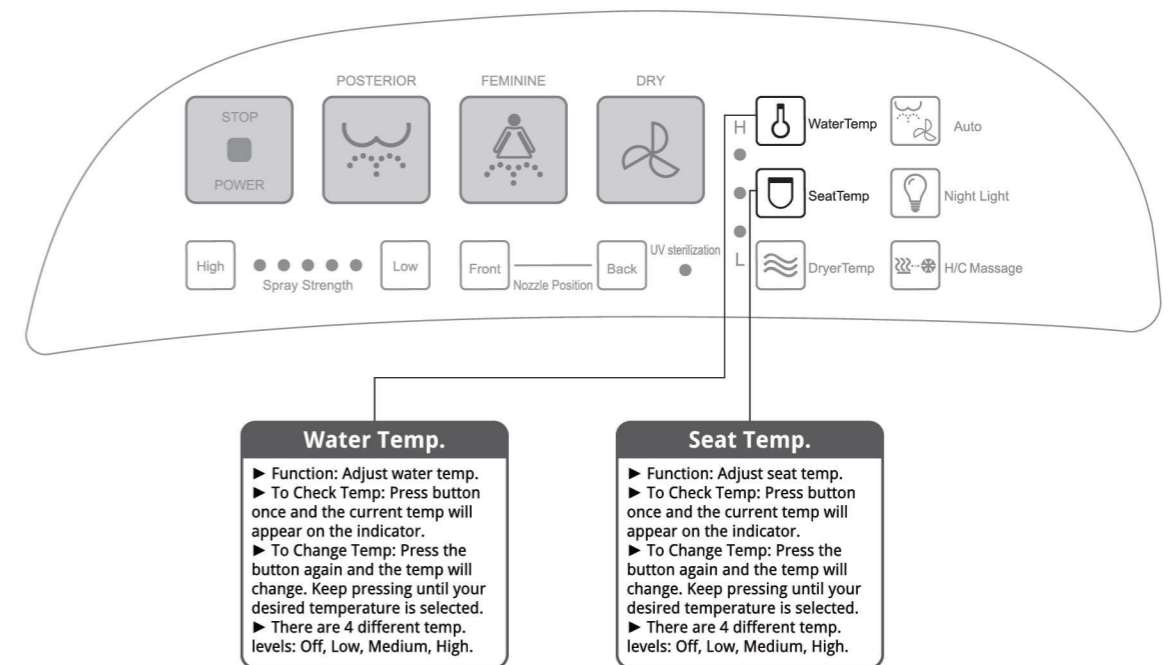
BASIC FUNCTIONS

- ▶ Functions will only work when user is seated on the bidet seat.
- ▶ Dryer will automatically stop after 4 minutes.



PRODUCT OPERATION

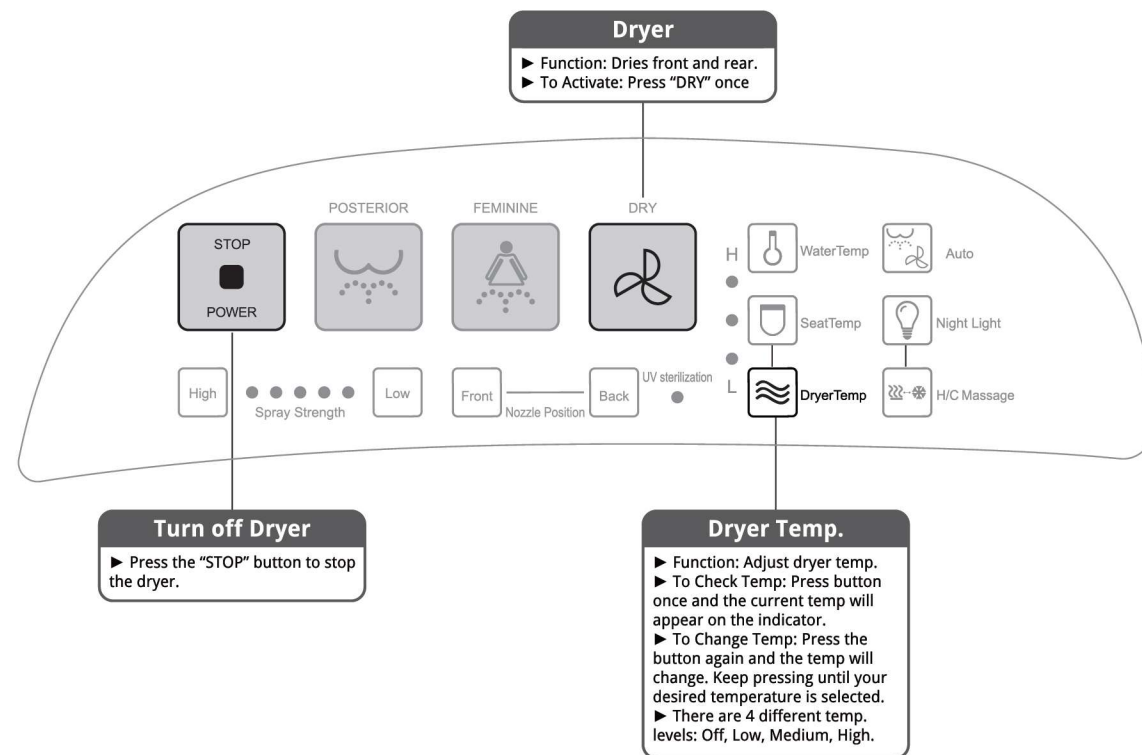
BASIC FUNCTIONS (cont.)



PRODUCT OPERATION

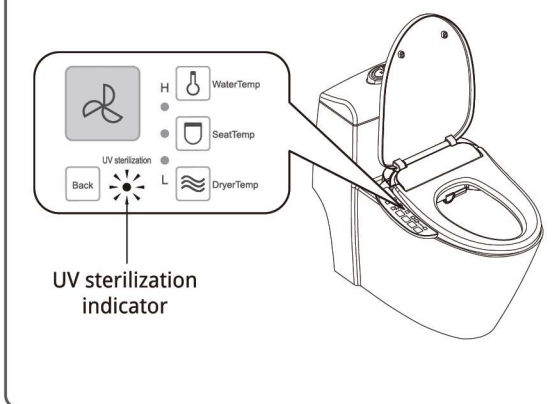
DRYER

- Dryer will automatically stop after 4 minutes.



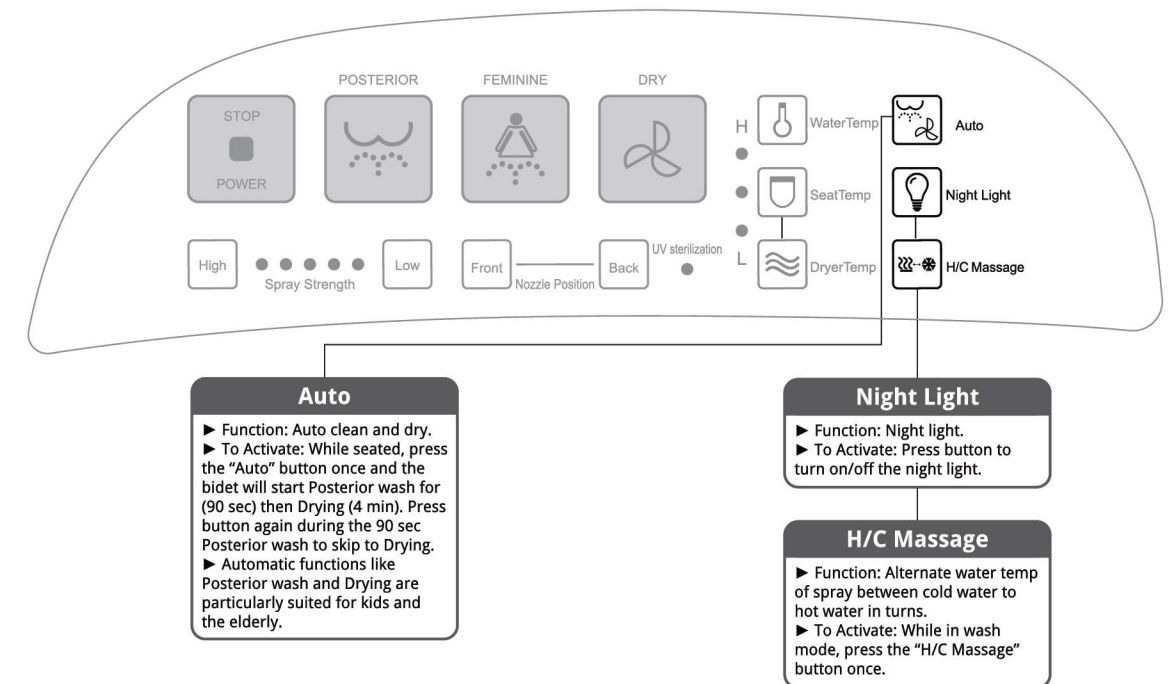
UV STERILIZATION

- The UV light will automatically turn on 10 seconds after the user rises from the seat and will remain active for 3 minutes. The UV sterilization indicator will turn red when UV sterilization is in progress and will turn off when complete.



PRODUCT OPERATION

OTHER FUNCTIONS



RESTORING FACTORY SETTINGS

- To restore the product to the original factory settings, pull the plug from the wall, wait 1 minute, then reconnect the plug. The Water Temp., Seat Temp., Dryer Temp., Spray Strength, and Nozzle Position will restore to the original Middle level settings.

PRODUCT OPERATION

MAINTENANCE

- ▶ Before maintenance, please unplug the power source and shut off the water supply.
- ▶ Regular maintenance is required to ensure that the product operates at optimum efficiency.

Maintenance of Lid, Seat, and Plastic Parts

- ▶ Wipe the lid, seat, and plastic parts with a wet soft cloth (water).
- ▶ Please wipe with water frequently or the product will become hard to clean later if the dirt and debris is not removed on time. Wiping with water can also help prevent static electricity from generating around the product, which can cause the product to accumulate dust and become dirty.
- ▶ For a deeper clean, the bidet can be removed from the toilet to access the surface beneath. To remove the bidet, press the catch plate button located on the right side of the bidet, then lift the bidet slightly to extract. (do not remove the bidet forcefully).

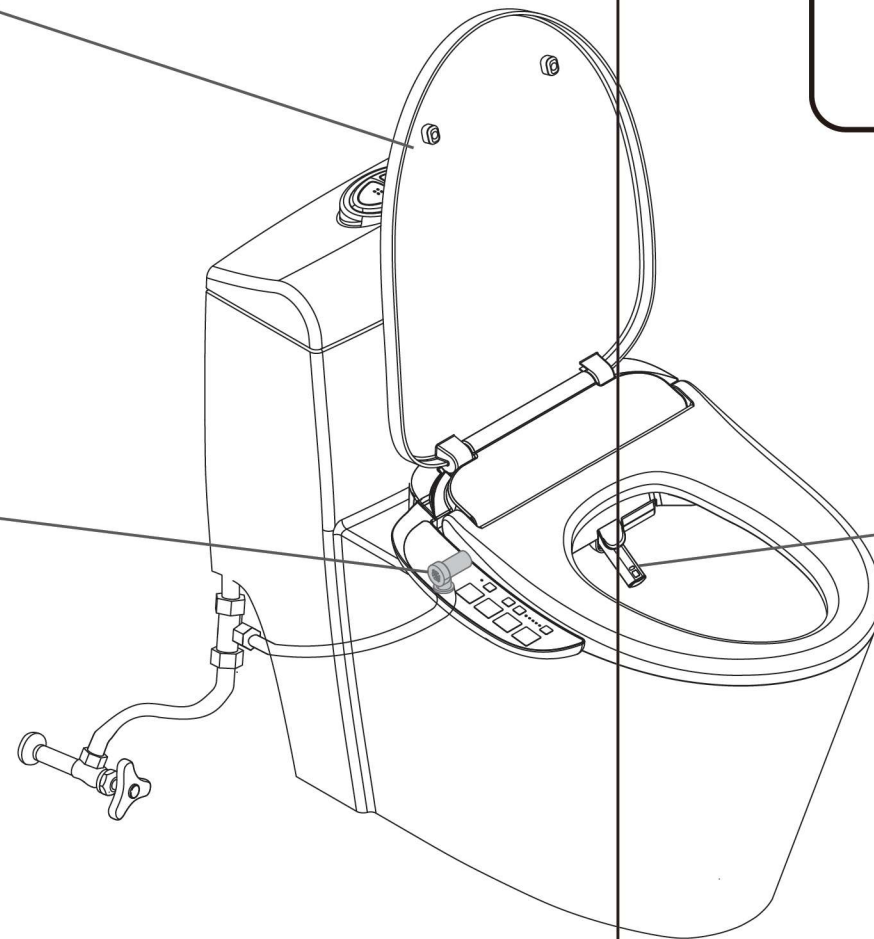


Maintenance of Steel Mesh Filter

- ▶ For your health, as well as optimal performance of the bidet, please clean or replace the filter regularly.
- ▶ If you notice that the water pressure is becoming weaker, please wash or replace the filter.
- ▶ Please make sure to turn off the water supply completely before removing the filter. Attach the new filter securely to avoid leakage.
- ▶ Turn the coin counterclockwise to open the filter and use a brush to clean.



Recommended: Every 1-2 months

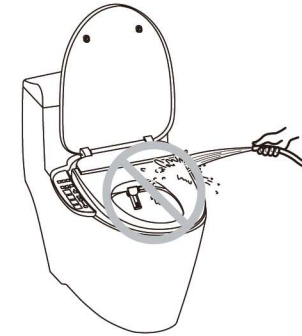


PRODUCT OPERATION

MAINTENANCE (cont.)

! ATTENTION

- Do not spray water or detergent on the bidet, remote control, or power cord.
- ▶ Otherwise, electric shock or fire may occur.



! WARNING

- While cleaning the plastic parts, do not use strong, acidic chemical cleaners (concentrated sulfuric acid, nitric acid, glacial acetic acid, carbon tetrachloride, chloroform, acetone, butyl ketone, benzene, toluene, phenol, cresol, methyl ether, methyl formamide, soybean oil, vinegar, 40% nitric acid, hydrochloric acid, 95% alcohol liquor, gasoline, kerosene, brake oil, etc.). Please only use neutral cleaners.
- ▶ Otherwise, the plastic may break, and cause body damage, electric shock, or fire.



Maintenance of the Nozzle

- ▶ Press "Water Temp" for 3 seconds without occupying the seat, the nozzle will extend and can be cleaned with a soft brush.
- ▶ Do not try to pull the nozzle out with force, or the nozzle may break.



PRODUCT OPERATION

TROUBLESHOOTING

- ▶ If you experience any of the problems below, please follow the suggested solutions. If you continue to experience issues after trying the solutions, please consult with a qualified electrician or serviceman.
- ▶ For additional troubleshooting tips, please visit www.LuxeBidet.com.

Power button

Problem	Possible Causes	Possible Solutions
Toilet is not working	Blackout or loose socket	Check that power cord is plugged in
	Power off (Power indication light not on)	Press power button until indication light turns on
	Electric leakage	Unplug power cord, re-connect, then power on. If it is still not working, please unplug again and contact us on www.LuxeBidet.com .

Wash functions

Problem	Possible Causes	Possible Solutions
Water does not spray	No water in the supply	Wait for the water to restore to its normal levels
	Water supply is turned off	Turn water supply valve to turn on water
	Filter is stuck	Clean or replace filter
	Water hose is twisted	Stretch hose until it becomes untwisted
Water pressure is weak	Water level is set to LOW	Turn up water level to higher setting
	Filter is stuck	Clean or replace filter
Spray is off-center	Operational failure	Unplug device and re-plug in after 1 min.
Water is not warm	Water temp. is set to LOW	Turn up water temp. level to higher setting
Water is leaking	Parts are loose or damaged	Contact us at www.LuxeBidet.com
Wash function does not activate	Check if the seat is lifted or sitting on something	Fix seat so it is flush on the bowl and remove any objects underneath
	Body sensor is broken	Contact us at www.LuxeBidet.com

PRODUCT OPERATION

TROUBLESHOOTING (cont.)

Dryer

Problem	Possible Causes	Possible Solutions
Dryer is not warm	Dryer temp. is set to OFF	Turn up dryer temp. to higher setting
	Dryer is broken	Contact us at www.LuxeBidet.com
Dryer stops during use	Dryer will stop every 4 mins	Enable dryer again

Heated Seat

Problem	Possible Causes	Possible Solutions
Seat temp. not warm	Seat temp. is set to OFF	Turn up seat temp. to higher setting
	Power-saving mode on	Turn off power-saving mode

Other

Problem	Possible Causes	Possible Solutions
Lid or seat closes fast	Damping is broken	Contact us at www.LuxeBidet.com
Functions work in turns nonstop	QA testing model activated	Unplug device and re-plug in after 1 min.

PRODUCT INFORMATION

SPECIFICATIONS

Model Number		E850
Rated Voltage		AC 120V, 60Hz
Rated Power		1140W
Length of Power Cord		3.9 ft
Circuit Breaker		Within 10mA 0.1 second
Wash	Posterior	0.17 gal/min
	Feminine	0.17 gal/min
	Heat Capacity	1140W
	Safety Feature	Temperature switch
Dry	Air Temperature	Room temp. ~ 131 °F
	Heat Capacity	140W
	Safety Feature	Thermal fuse, Bimetal
Heated Seat	Seat Temperature	82.4 °F ~ 104 °F
	Heat Capacity	30W
	Safety Feature	Thermal fuse
Fire Protection	Seat	5VA
	PCB Borad Shell	V-0
Water Supply	Way of Connection	Direct Connection to Tap Water
	Water Pressure	11.6 psi ~ 101.5 psi
Dimensions	Elongated	20.43" x 17.62" x 5.24"

PRODUCT INFORMATION

MODEL COMPARISON CHART

Type	Function	Model E850	Model E890	
Wash	Turbo Wash	•	•	
	Auto Wash	•	•	
	Feminine Wash	•	•	
	Oscillating Wash	•	•	
	Adjustable Pressure	•	•	
	Adjustable Temp.	•	•	
	Hot / Cold Massage	•	•	
	Nozzle Self-Cleaning	•	•	
	Nozzle UV Sterilization	•	•	
	Turbo Flush	•	•	
	Adjustable Nozzle Position	•	•	
	Comfort	Slow Close Lid/Seat	•	•
		Adjustable Seat Temp.	•	•
Adjustable Air Temp.		•	•	
Warm Air Dryer		•	•	
Convenience	Seat Sensor	•	•	
	Off/Power	•	•	
	Business Mode	•	•	
	Quick Installation	•	•	
	Quick Uninstallation	•	•	
	Night Light	•	•	
	UV Sterilization	•	•	
Safety	Memory	•	•	
	Leakage Protection	•	•	
	Fire Proof Materials	•	•	
	Nano Anti-Bacterial	•	•	
	Water Filter	•	•	
	Factory Setting Restore	•	•	
	Air Separation	•	•	
	Operation Mode	•	•	
Draining Mode	•	•		

WARRANTY

18 MONTH LIMITED WARRANTY

All Luxe Bidet® products by 2Go Products, LLC are carefully tested before shipment by the Manufacturer, who warrants this product to be free from defects in material and workmanship for a period of eighteen (18) months from the original purchase date.

THIS WARRANTY EXCLUDES THE FOLLOWING -

1. Replacement of discolored or damaged parts as a result of the use of strong cleaning or disinfecting chemicals.
2. Damage to, or malfunction of, the unit resulting from improper installation, negligence, misuse, abuse or tampering by an unauthorized repair personnel.
3. Under no circumstances will 2Go Products, LLC be held liable for any loss or damage directly, consequentially or incidentally arising out of the use of, or inability to use, this product (some states do not allow this exclusion).
4. The owner of the bidet should immediately stop using and uninstall the bidet if there is even the slightest leaking or dripping detected anywhere due to the bidet. Leakage can be the result of incompatible toilet fittings, improper installation, and/or old or damaged parts.
5. Exposure to extreme temperatures, strong chemicals (such as bleach, hydrochloric acid, etc.), or high water pressure can cause damage to various parts of the bidet and result in leaking or flooding. Therefore, the owner hereby releases the Manufacturer and Distributors of Luxe Bidet™ from any and all claims for bodily and/or property damage resulting from such conditions.
6. Damage or loss resulting from electrical surges, electrical outages, lightning strikes or other acts which are not the fault of 2Go Products, LLC or of the product.
7. The owner hereby releases the 2Go Products, LLC from any and all claims against damages to the property or the bidet resulting from misuse, improper installation, inadequate maintenance, or exposure to extreme temperature, water pressure or strong chemicals.

Attention: Register your bidet at www.LuxeBidet.com for customer support concerning warranty claims, returns, and technical assistance.

CONTACT US

If you have any questions or comments, please feel free to reach out to our customer care at any time and we will be able to assist you further. Thank you for choosing Luxe Bidet®

LUXE *Bidet*®

Luxe Bidet HQ
7770 Regents Rd. 113-632
San Diego, CA 92122
United States
www.LuxeBidet.com

Contact Us
Email: customercare@luxebidet.com
Phone: 1.858.360-7780