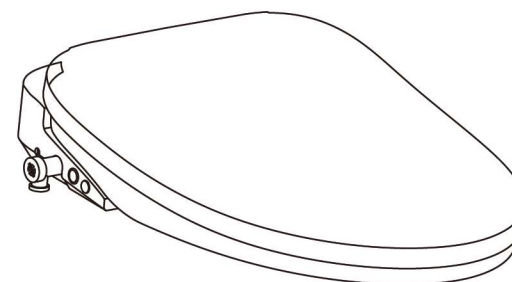


## TABLE OF CONTENTS

● BEFORE USING THE PRODUCT .....	01
SAFEGUARDS .....	01
GROUNDING INSTRUCTIONS .....	02
GARANTIES IMPORTANTES.....	03
● SAFETY PRECAUTIONS .....	05
● PARTS DIAGRAM .....	09
PRODUCT OVERVIEW .....	09
REMOTE CONTROL.....	10
● PRODUCT INSTALLATION .....	11
TOOLS NEEDED .....	11
PARTS INCLUDED .....	11
BEFORE INSTALLATION .....	12
INSTALLATION STEPS .....	13
● PRODUCT OPERATION .....	15
BASIC FUNCTIONS .....	15
DRYER .....	17
OTHER FUNCTIONS.....	18
UV STERILIZATION .....	18
MAINTENANCE .....	19
TROUBLESHOOTING .....	21
● PRODUCT INFORMATION .....	23
SPECIFICATIONS .....	23
MODEL COMPARISON CHART.....	24
● WARRANTY .....	25
● CONTACT US .....	26



**LUXE** Bidet®

**Website:** www.LuxeBidet.com  
**Email:** customercare@luxebidet.com  
**Phone:** 858-360-7780  
**Fax:** 858-876-1559

**Luxe Bidet HQ**  
 7770 Regents Rd. 113-632  
 San Diego, CA 92122  
 United States

Thank you for purchasing the Luxelet E890. This electronic toilet seat is intended for household use only. The product should be installed following the installation instructions in this manual. Please read this manual carefully and keep it for future reference.

# BEFORE USING THE PRODUCT

## SAFEGUARDS

**IMPORTANT! Read all instructions before use. When using electrical products, basic safety precautions should always be followed.**

**DANGER** – To reduce the risk of electrocution:

1. Do not use while still wet from bathing/showering or swimming.
2. Do not place or store product where it can fall or be pulled into a tub or sink.
3. Do not place or drop into water or any other liquid.
4. Do not reach for a product that has fallen into water. Unplug product immediately, then remove from water.

**WARNING** - To reduce the risk of burns, electrocution, fire, or injury:

1. Close supervision is necessary when this product is used by or near children or handicapped persons.
2. Use this product for its intended use only and as described in this manual. Only use attachments recommended by the manufacturer.
3. Never operate this product if it has a damaged cord or plug, if it is not working properly, if it has been dropped or damaged, or dropped into water.
4. Keep the cord away from heated surfaces.
5. Do not block the air openings of the product or place the product on a soft surface, such as a bed or couch, where the air openings may be blocked. Keep the air openings free of lint, hair, and the like.
6. Never use while drowsy or asleep.
7. Do not drop or insert any object into any opening or hose.
8. Do not use outdoors or operate where aerosol (spray) products are being used or where oxygen is being administered.
9. Connect this product to a properly grounded outlet only. See Grounding Instructions on the next page for more information.

# BEFORE USING THE PRODUCT

## GROUNDING INSTRUCTIONS

This product should be grounded. In the event of an electrical short circuit, grounding reduces the risk of electric shock by providing an escape wire for the electric current. This product is equipped with a cord having a grounding wire with a grounding plug. The plug must be plugged into an outlet that is properly installed and grounded.

**DANGER** – Improper use of the grounding plug can result in a risk of electric shock.

If repair or replacement of the cord or plug is necessary, do not connect the grounding wire to any flat blade terminal. The grounding wire has a green outer surface that may or may not have yellow stripes. Check with a qualified electrician or serviceman if the grounding instructions are not completely understood, or if there is any doubt as to whether the product is properly grounded.

# BEFORE USING THE PRODUCT

## GARANTIES IMPORTANTES

**Lors de l'utilisation de produits électriques, particulièrement en cas de la présence des enfants, il faut toujours suivre les précautions de sécurité basiques, y compris les suivants:**

**DANGER-** Afin de réduire le risque d'électrocution:

1. Ne l'utilisez pas pendant le bain.
2. Ne placez ni ne stockez le produit dans la zone où il peut tomber ou être tiré dans la baignoire ou l'évier.
3. Ne placez ni ne déposez dans l'eau ou l'autre liquide.
4. Ne tendez pas la main à un produit qui est tombé dans l'eau. Débranchez-le immédiatement.

**AVERTISSEMENT-** Afin de réduire le risque de brûlures, d'électrocution, d'incendie ou de blessures de personnes.

1. Une surveillance étroite est nécessaire lorsque ce produit est utilisé par, sur ou près des enfants ou des invalides.
2. Ce produit est usé uniquement pour l'utilisation prévue par écrit dans ce manuel. N'utilisez pas les pièces jointes non recommandées par le fabricant.
3. Ne mettez jamais en fonction ce produit en cas qu'il contient un cordon ou une fiche endommagé, en cas que le produit ne fonctionne pas correctement, en cas qu'il a été tombé par terre ou endommagé ou tombé dans l'eau. Rendez le produit à un centre de service pour l'examen et la réparation.
4. Gardez une distance entre le cordon et des surfaces chauffées.
5. Ne bloquez jamais les ouvertures d'air du produit ni ne le placez sur une surface douce, par exemple un lit ou un divan, où les ouvertures d'air peuvent être bloquées. Il faut assurer les ouvertures d'air évités des peluches, des cheveux et autres choses assemblés.
6. Ne l'utilisez jamais pendant le sommeil ou la somnolence.
7. Ne laissez jamais ni ne placez d'objet dans une ouverture ou un tuyau.

# BEFORE USING THE PRODUCT

8. Ne l'utilisez pas à l'extérieur, ni n'opérez dans la zone où les produits en aérosol (spray) sont utilisés, ou où l'oxygène est administré.

9. Ne connectez ce produit qu'à une prise correcte avec la mise à la terre. Voir les Instructions de mise à la terre.

## CONSERVEZ CES INSTRUCTIONS

a) Pour tous les produits mis à la terre:

## INSTRUCTIONS DE MISE À LA TERRE

Ce produit doit être mis à la terre. En cas de court-circuit électrique, la mise à la terre réduit le risque de choc électrique en fournissant un fil d'échappement pour le courant électrique. Ce produit est équipé d'un cordon contenant un fil de mise à la terre avec une fiche de mise à la terre. La fiche doit être branchée sur une prise de courant qui est correctement installé et mis à la terre.

**DANGER-** L'utilisation incorrecte de la fiche de mise à la terre peut provoquer un risque d'électricité choc.

S'il est nécessaire de réparer ou remplacer le cordon ou la fiche, ne connectez pas le fil de mise à la terre sur un terminal à lame plate. Le fil isolé avec un surface extérieure qui est verte avec ou sans les rayures jaunes est le fil de mise à la terre.

Vérifiez avec un électricien ou d'un technicien qualifié, si les instructions de mise à la terre ne sont pas complètement bien comprises, ou en cas de doute si le produit est correctement mis à la terre.

# SAFETY PRECAUTIONS

## IMPORTANT! READ ALL INSTRUCTIONS BEFORE USING

Please carefully read this manual before use and keep for future reference.

The following icons are used in this manual to indicate varying severities of hazards. Please abide by these precautions, otherwise serious consequences may occur.

### NOTATION

<b>WARNING</b>	• • • •	Please pay close attention to avoid serious harm or accidents.
<b>ATTENTION</b>	• • • •	If not attentive, body or property damage may result.
	• • • •	Caution! Comply with guidelines.
	• • • •	Prohibited action!
	• • • •	Do not dismantle!
	• • • •	Keep away from direct contact with water or any liquid.
	• • • •	Do not touch this area!
	• • • •	Do not touch this area with wet hands!
	• • • •	Keep away from fire!
	• • • •	Operate as instructed.
	• • • •	Please unplug!
	• • • •	Please confirm it is grounded!

# SAFETY PRECAUTIONS

## WARNING

<p><b>Make sure the power supply is grounded.</b></p> <ul style="list-style-type: none"> <li>▶ Otherwise, electric shock may occur.</li> <li>▶ Please consult qualified electrician or serviceman if the power supply is not grounded.</li> </ul>		<p><b>Do not place lit cigarettes or other ignited items on the product.</b></p> <ul style="list-style-type: none"> <li>▶ Otherwise, fire may occur.</li> </ul>	
<p><b>Do not touch or plug in the cord with wet hands.</b></p> <ul style="list-style-type: none"> <li>▶ Otherwise, electric shock may occur.</li> </ul>		<p><b>Do not place lit cigarettes or other ignited items on the product.</b></p> <ul style="list-style-type: none"> <li>▶ Otherwise, the device may be damaged or malfunction.</li> </ul>	
<p><b>Do not connect power cord if the cord is damaged or broken.</b></p> <ul style="list-style-type: none"> <li>▶ Otherwise, electric shock or fire may occur.</li> </ul>			
<p><b>The product must be connected to standard voltage power source (AC120V±10%, Max Current 15A).</b></p> <ul style="list-style-type: none"> <li>▶ Otherwise, electric shock or fire may occur.</li> </ul>		<p><b>When the seat or lid is broken, please unplug the power and shut down the water supply.</b></p> <ul style="list-style-type: none"> <li>▶ Otherwise, electric shock or fire may occur.</li> </ul>	
		<p><b>Unplug and clean the dust on the power cord with a dry cloth regularly.</b></p> <ul style="list-style-type: none"> <li>▶ Otherwise, fire may occur due to bad insulation.</li> </ul>	
<p><b>Do not forcefully pull, break, bend, strip, twist, or over squeeze the power cord and cable.</b></p> <ul style="list-style-type: none"> <li>▶ Otherwise, electric shock or fire may occur.</li> </ul>		<p><b>Individuals who are handicapped (physically, mentally, or emotionally) must be accompanied during use.</b></p> <ul style="list-style-type: none"> <li>▶ Otherwise, long-term use may cause low-grade burns.</li> </ul>	
<p><b>The cord must be replaced by authorized personnel</b></p> <ul style="list-style-type: none"> <li>▶ Otherwise, electric shock or fire may occur.</li> </ul>		<p><b>Children should not play with this product.</b></p> <ul style="list-style-type: none"> <li>▶ Otherwise, injury may occur.</li> </ul>	
<p><b>Please avoid installing the product while bathroom is wet. Do not splash water on the product.</b></p> <ul style="list-style-type: none"> <li>▶ Otherwise, electric shock, fire, damage may occur.</li> </ul>		<p><b>Do not dismantle this product to repair or remodel. Only Authorized personnel such as a qualified electrician should service the product.</b></p> <ul style="list-style-type: none"> <li>▶ Otherwise, malfunctions may cause electric shock, fire, or injury.</li> </ul>	
		<p><b>Do not urinate on the product.</b></p> <ul style="list-style-type: none"> <li>▶ Otherwise, electric shock may occur.</li> </ul>	
		<p><b>Do not use polluted water supply.</b></p> <ul style="list-style-type: none"> <li>▶ Otherwise, the water may damage the device or harm the user.</li> </ul>	

# SAFETY PRECAUTIONS

## ⚠ ATTENTION

If using any chemical toilet bowl cleaner, be sure to wipe up any spills that splash onto the plastic areas of the product. Do not use any acidic chemical detergent. Only neutral detergents are permitted.

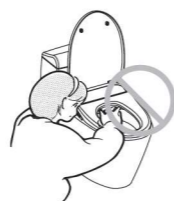
▶ Otherwise, the plastic may break and cause body damage, electric shock, or fire.



Do not stand, sit, or lean forcefully on the lid of the bidet toilet seat. Do not open or close the lid/seat ring forcefully to avoid damage.



Do not block the dryer door with hands or other objects. Do not cover the door during use.



Please do not let water or detergent wet the bidet toilet seat or power plug.

▶ Otherwise, there may be a risk of electric shock or fire.



# SAFETY PRECAUTIONS

## ⚠ WARNING

Do not use warm or heated temperature settings for extended periods of time.



Do not expose to direct sunlight or heating device.



Please make sure the user is fully seated (see image below). Otherwise, the cleaning or drying function will stop.



Do not use a timer power source or external switch to turn the device on/off. The thermal cutoff device may cause danger.



Please turn off the water supply before replacing the filter. Firmly attach the filter before opening the water supply.



▶ Otherwise, leakage may occur.

Do not urinate on the nozzle.

▶ Otherwise, the nozzle may become obstructed.



Please unplug and close water sources to the device when away for extended periods of time.



▶ Otherwise, leakage or fire may occur.

Please use provided accessories to install the device. Do not use old parts.



▶ Otherwise, leakage may occur.

In very low temperatures, the water within the device may freeze after long periods of disuse. To avoid damage, please warm the unit to melt the ice.

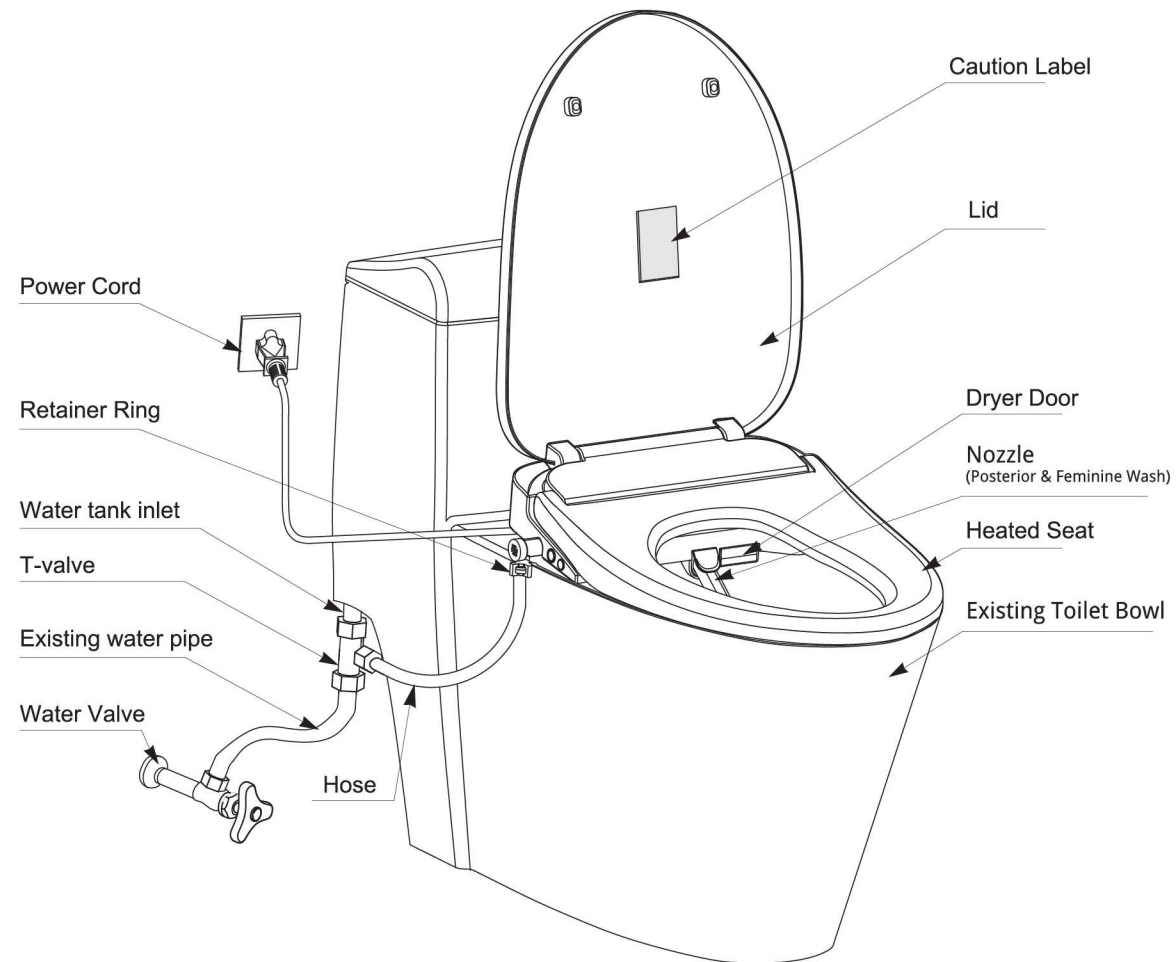


During power failure, unplug the device and close the water supply valve to prevent leaking.

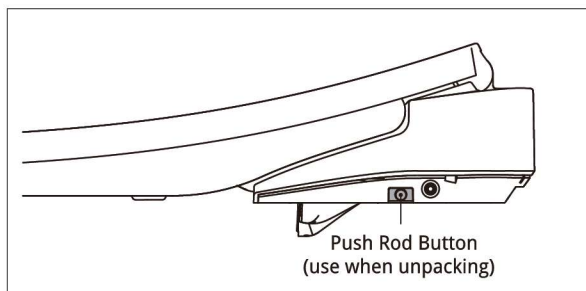


# PARTS DIAGRAM

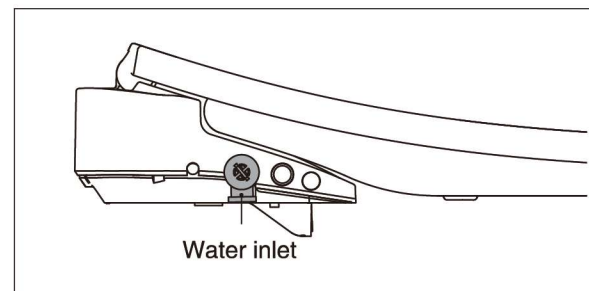
## PRODUCT OVERVIEW



## VIEW FROM THE RIGHT

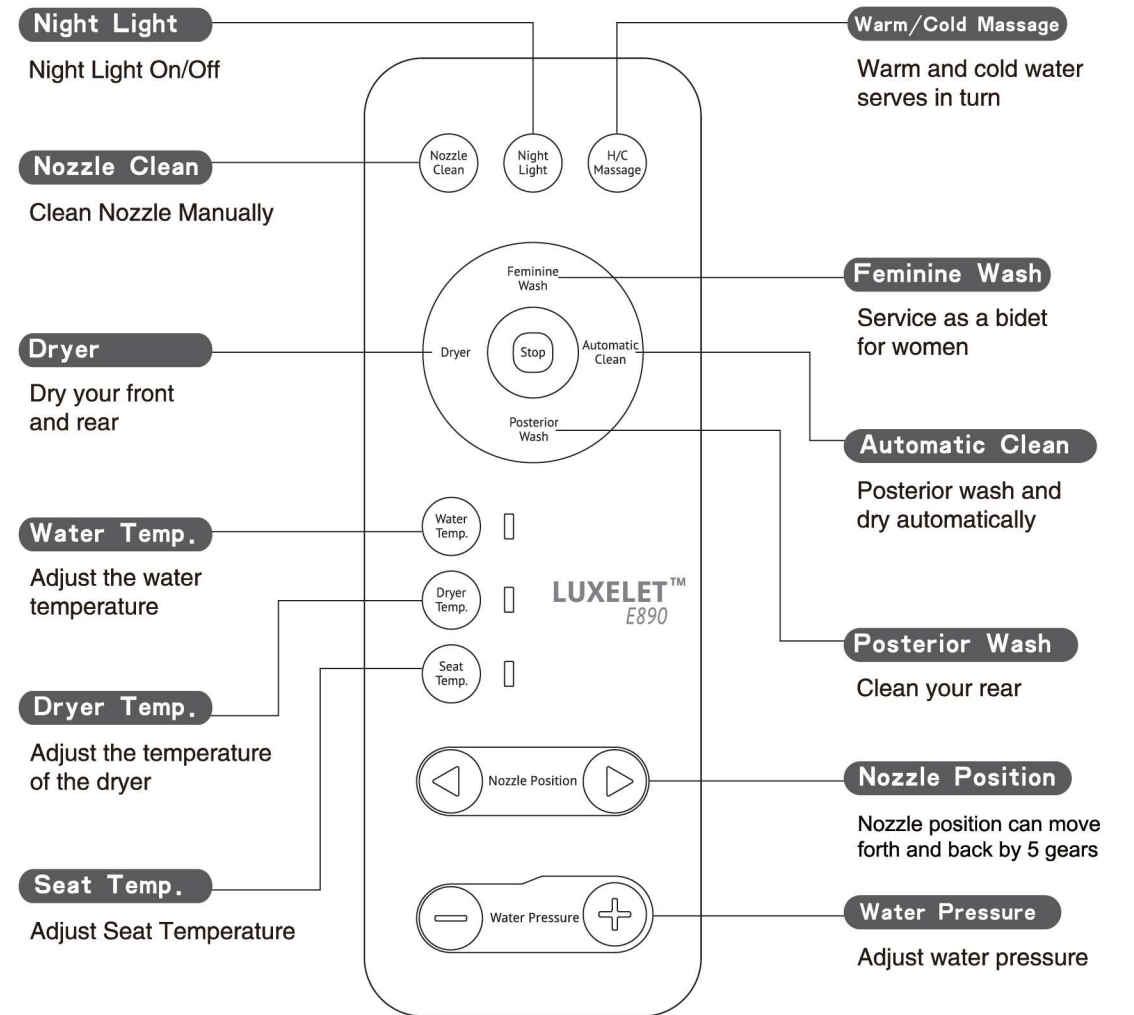


## VIEW FROM THE LEFT



# PARTS DIAGRAM

## REMOTE CONTROL



# PRODUCT INSTALLATION

## TOOLS NEEDED

Adjustable Wrench (1.02in+ width) **OR** Open End Wrench (0.91-1.02in)



>1.02in

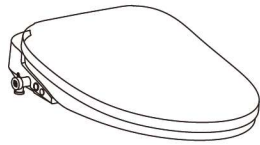
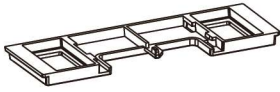
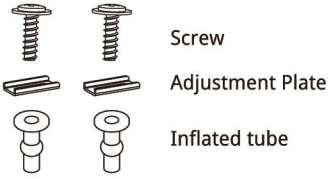

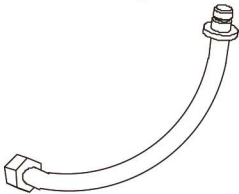
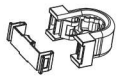
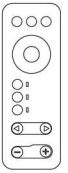
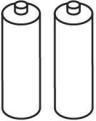
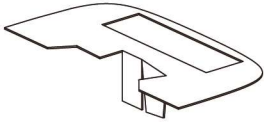
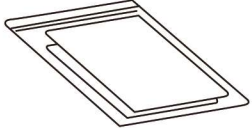
**OR**



Phillips ⊕ Screw Driver



## PARTS INCLUDED

<p>Smart Bidet (1 set)</p> 	<p>Catch Plate (1 pc)</p> 	<p>Screw components (2 sets)</p> 
<p>T-valve (1 pc)</p> 	<p>hose (1 pc)</p> 	<p>Collar (1 pc)</p> 
<p>Controller (1 pc)</p> 	<p>Battery(2PCS)</p> 	<p>Fixed Card (1 pc)</p> 
<p>Owner's Manual</p> 		

After opening the package, please confirm that you have received all parts listed above. If you are missing any parts, please contact us at [www.LuxeBidet.com](http://www.LuxeBidet.com).

# PRODUCT INSTALLATION

## BEFORE INSTALLATION

**IMPORTANT!** Before installing the product, please make sure that you meet all the requirements listed below.

### Power Requirements

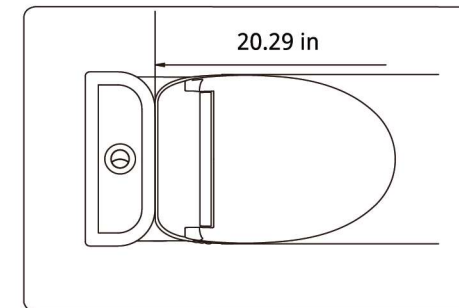
- ▶ The power rating should be within the required range (AC 120V ± 10%, Max current 15A above)
- ▶ The power outlet should be close enough to reach the power cord (1.5m) but far from where water can hit it.
- ▶ This product must be grounded.
  - The wiring should be installed by a professionally licensed electrician.
  - Please do not plug in the product before installation is complete to prevent malfunction.

### Water Requirements

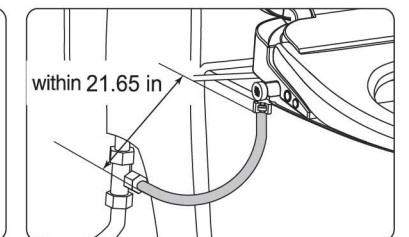
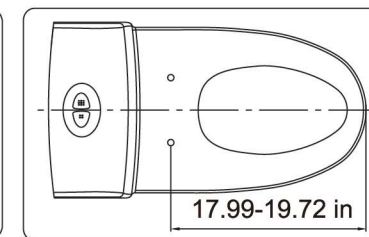
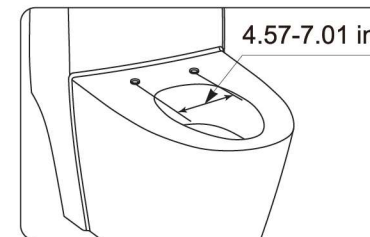
- ▶ The minimum dynamic water pressure required is 11.6 psi (0.8 kg / square cm)
- ▶ The maximum static water pressure required is 116 psi (8 kg / square cm).
- ▶ Water pressure below the min and max range above will affect the performance of the product.v

### Sizing Requirements

- ▶ Please measure your toilet to make sure that there is enough space for the bidet (20.29 in long).



- ▶ The distance between the 2 mounting holes must be within 4.57-7.01 in.
- ▶ The distance from the filter to the bidet inlet should be 21.65 in or less.
- ▶ The distance between the mounting holes and the edge of the toilet bowl must be within 17.99-19.72 in.



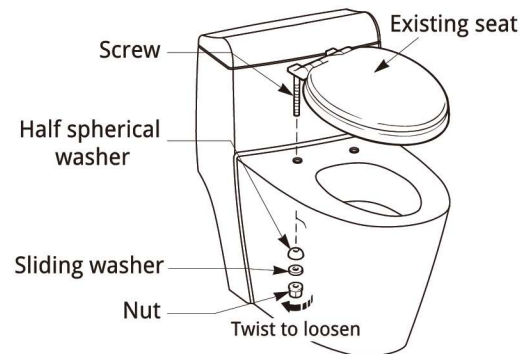
※The product has no Ground Fault Circuit Interrupter, It should be installed in the line with Ground Fault Circuit Interrupter, Otherwise, the accidental failure of this product may result in the loss of life or property.

# PRODUCT INSTALLATION

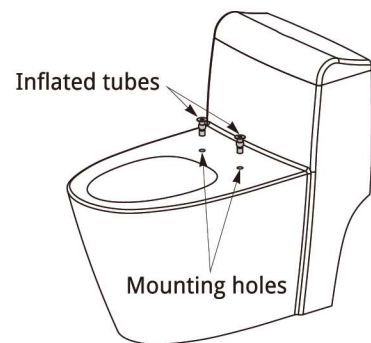
## INSTALLATION STEPS

### 1 Install the electronic bidet seat

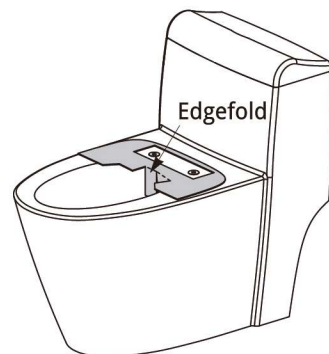
1. Remove the existing toilet seat.
  - (a) Remove the toilet seat mounting bolts.
  - (b) Remove the existing toilet seat from the toilet.



2. Insert the inflated rubber tube set into the mounting holes on the toilet bowl.

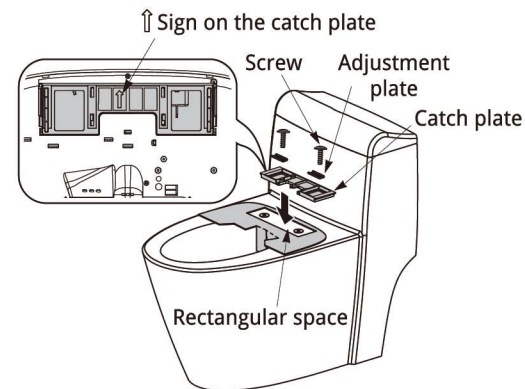


3. Place the Fixed Card on the toilet bowl where the mounting holes are. Make sure that the wash / dry gates are close to the rim and pointed down

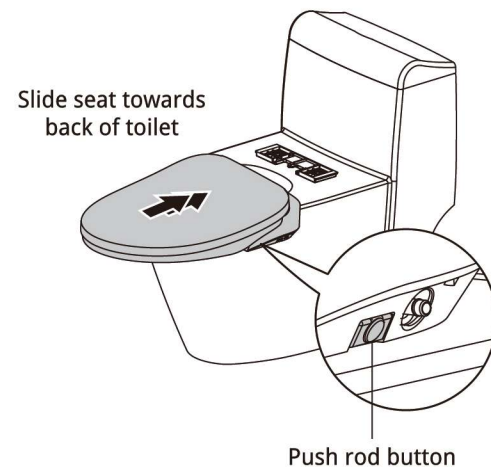


4. Install the Catch Plate
  - (a) Place the Catch Plate in the rectangular space of the Fixed Card. The arrow should point to the back of the toilet.
  - (b) Secure the Catch Plate using the adjustment plates and screws.

The ↑ sign should point towards the back of the toilet



5. Install the electronic toilet seat
  - (a) Remove Fixed Card.
  - (b) Press the push rod button and slide the seat into the Catch Plate.
  - (c) Adjust the position of the seat and loosen the screws to adjust position, if necessary.

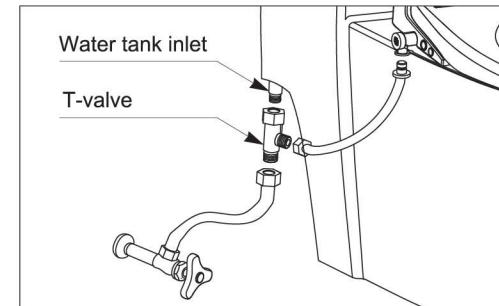


# PRODUCT INSTALLATION

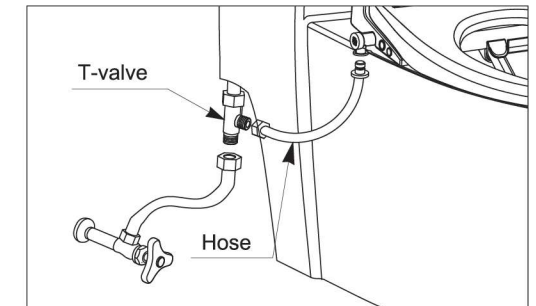
## INSTALLATION STEPS (CONT.)

### 2 Install the filter and hoses

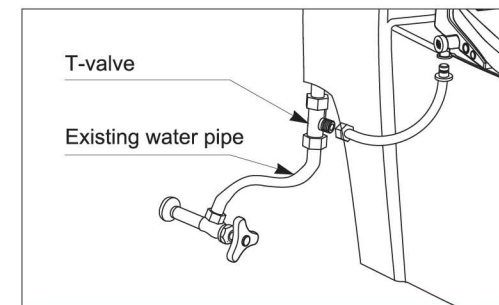
1. Connect T-valve to tank.



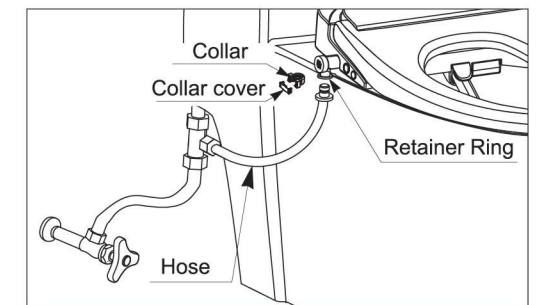
3. Connect the hose to T-valve.



2. Existing water pipe connect T-valve.

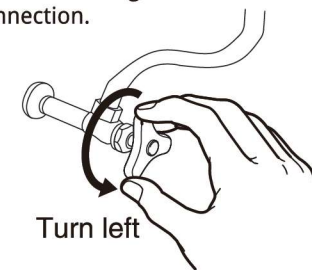


4. Connect the hose to bidet and then use collar to fix.



### 3 Turn on the water

1. Turn the water back on by turning the knob on the supply angle valve counter-clockwise until the valve is fully open.
2. Check all connections carefully and make sure that there is no water leakage from any connection.
  - (a) If there is leaking from a connection, retighten the connection.



### 4 Link the power

1. Insert the bidet plug into the outlet (120V).



2. Confirm the power connection.



# PRODUCT OPERATION

## BASIC FUNCTIONS

- ▶ Functions will only work when user is seated on the bidet seat.
- ▶ Dryer will automatically stop after 4 minutes.

### ■ Feminine Wash

**Press "Feminine Wash" button.**

The water is sprayed from the the nozzle to wash the private part of female. Pressing the button again will change the state into oscillating cleaning and expand range.

### ■ Stop

**Press "Stop" to Stop.**

※ Dryer stops automatically after 4mins.

### ■ Spray Strength

**Press "+" to turn up,press "-" to turn down spray strength.**

Press button to switch the display of light and choose an appropriate one.

### ATTENTION

- When the water pressure is low, the spray strength is weak and no water comes out of the nozzle sometimes. Therefore, please adjust the spray strength.
- Please sit backward to reduce the amount of water splashing.

### ■ Posterior Wash

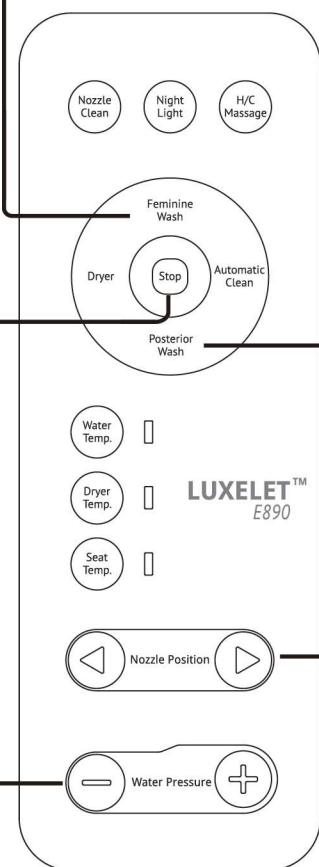
**Press "Posterior Wash" button.**

The water is sprayed from the the nozzle to wash the posterior. Pressing the button again will change the state into oscillating cleaning and expand range.

### ■ Nozzle position

**Press "nozzle position" button.**

Wand position can move forth and back by 5 gears.



# PRODUCT OPERATION

## BASIC FUNCTIONS (cont.)

### ■ Water Temp

**Press "Water Temp" button.**

Press the button once, the current temperature will be shown. Press the button again, then you can switch the temperature and choose an appropriate one.

- ※ Switch the display of 「OFF」、 「High」、 「Middle」、 「Low」.
- ※ Default drying temperature is middle level.


### ■ Seat Temp

**Press "Seat Temp" button.**

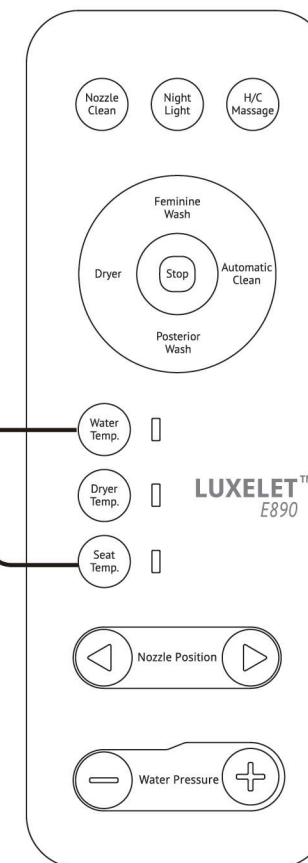
Press the button once, the current temperature will be shown. Press the button again, then you can switch the temperature and choose an appropriate one.

- ※ Switch the display of 「OFF」、 「High」、 「Middle」、 「Low」.
- ※ Default drying temperature is middle level.

### ⚠ WARNING

Close supervision is required for children, elderly, patients, retarded or disabled people to use this product. The temperature should be set in the low or off level when sit down after, and asked the companion to observe the situation and then use. 

※ Be aware of low-grade burns, do not use it for too long time.  
 Une supervision intensive est nécessaire pour les enfants, les personnes âgées, les patients, les débiles ou les personnes handicapées lors qu'ils utilisent ce produit. La température doit être fixée au niveau faible ou en état fermé quand vous vous assoyez et il faut demander un compagnon d'observer la situation et puis l'utiliser.  
 ※ Faire attention à la brûlure faible. Ne pas utiliser pour longtemps.



# PRODUCT OPERATION

## DRYER

### Nozzle cleanse

Press "Nozzle cleanse" button.

Wand will extend without spraying. it is for manually clean the wand.  
※Only available when sensor isn't covered by human body or other things.

### Dryer

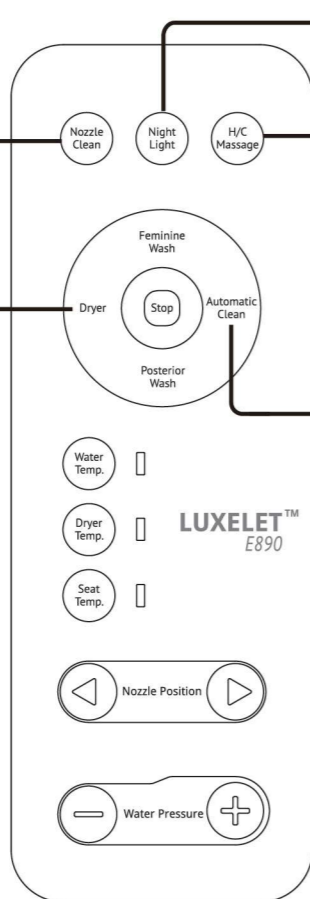
Press "Dryer" button to dry your front and rear.

Press the button once, the current temp will be shown in light. Press the button again, the temp level will be switched. Choose an appropriate temp for you.

- ※Switch the display of 「OFF」、 「High」、 「Middle」、 「Low」.
- ※Default drying temperature is middle level.
- ※DRY stops automatically after 4mins.

### WARNING

Close supervision is required for children, elderly, patients, retarded or disabled people to use this product. The temperature should be set in the low or off level when sit down, and asked the companion to observe the situation and then use.  
※Be aware of low-grade burns, do not use it for too long time.  
Une supervision intensive est nécessaire pour les enfants, les personnes âgées, les patients, les débilés ou les personnes handicapées lors qu'ils utilisent ce produit.  
※Faire attention à la brûlure faible. Ne pas utiliser pour longtemps.



### Night Light

Press "Night Light" button.

Turn on/off the night light.

### H/C MASSAGE

Press the button to turn on/off the H/C massage function.

While washing, press the button to start the cold and warm water in turns.  
※Only available when doing wash function.

### AUTO

Press "Auto" button.

When seat & press the auto posterior wash, the bidet will start posterior wash 90s and then dryer 4 mins. If press the button again during the 90s, it will skip to drying.  
※ Automatic functions like posterior wash and drying are particularly suited for kids and elders.

### Reference

● If fast drying is demanded, please wipe the buttock with tissues before drying.

# PRODUCT OPERATION

## OTHER FUNCTIONS

### 《Other functions setting》

### STOP

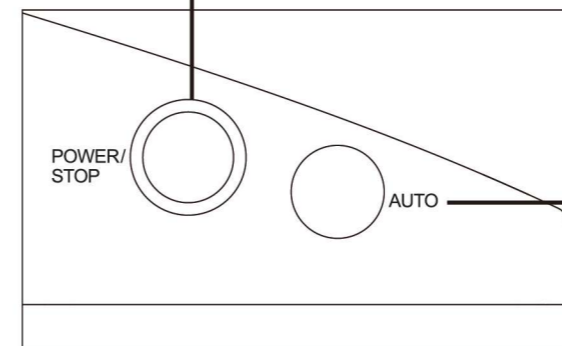
Short press "Stop" button to turn on.  
Long press "Stop" button to turn off.

When washing, press "STOP" button to stop

### AUTO

Press "Auto" button.

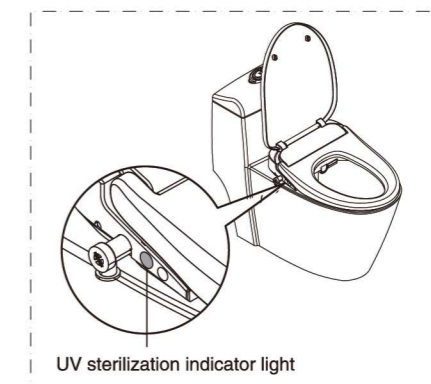
When seat & press the auto posterior wash, the bidet will start posterior wash 90s and then dryer 4 mins. If press the button again during the 90s, it will skip to drying.  
※ Automatic functions like posterior wash and drying are particularly suited for kids and elders.



### UV Sterilization

Expose nozzle to UV light.

UV light turns on 10s after rises from seat and works for 3mins. The red indicator light of "UV sterilization" on panel turns on when UV sterilization is in progress, and turns off when it is done.  
※ The UV light is set inside the toilet



### Restore factory setting

If there is a confusion (higher water temp, lower seat temp, weaker spray strength) while using, please pull the plug for 1 min, then reconnect it, the water temp, seat temp, drying temp and spray strength, nozzle position will restore to middle level.

# PRODUCT OPERATION

## MAINTENANCE

- ▶ Before maintenance, please unplug the power source and shut off the water supply.
- ▶ Regular maintenance is required to ensure that the product operates at optimum efficiency.

### Maintenance of Lid, Seat, and Plastic Parts

- ▶ Wipe the lid, seat, and plastic parts with a wet soft cloth (water).
- ▶ Please wipe with water frequently or the product will become hard to clean later if the dirt and debris is not removed on time. Wiping with water can also help prevent static electricity from generating around the product, which can cause the product to accumulate dust and become dirty.
- ▶ For a deeper clean, the bidet can be removed from the toilet to access the surface beneath. To remove the bidet, press the catch plate button located on the right side of the bidet, then lift the bidet slightly to extract. (do not remove the bidet forcefully).



### Maintenance of Steel Mesh Filter

- ▶ For your health, as well as optimal performance of the bidet, please clean or replace the filter regularly.
- ▶ If you notice that the water pressure is becoming weaker, please wash or replace the filter.
- ▶ Please make sure to turn off the water supply completely before removing the filter. Attach the new filter securely to avoid leakage.
- ▶ Turn the coin counterclockwise to open the filter and use a brush to clean.



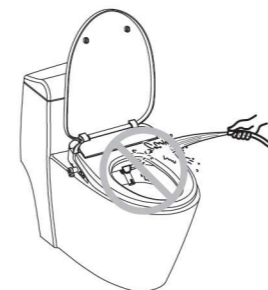
Recommended: Every 1-2 months

# PRODUCT OPERATION

## MAINTENANCE (cont.)

### ⚠ ATTENTION

- Do not spray water or detergent on the bidet, remote control, or power cord.
- ▶ Otherwise, electric shock or fire may occur.



### ⚠ WARNING

- While cleaning the plastic parts, do not use strong, acidic chemical cleaners (concentrated sulfuric acid, nitric acid, glacial acetic acid, carbon tetrachloride, chloroform, acetone, butyl ketone, benzene, toluene, phenol, cresol, methyl ether, methyl formamide, soybean oil, vinegar, 40% nitric acid, hydrochloric acid, 95% alcohol liquor, gasoline, kerosene, brake oil, etc.). Please only use neutral cleaners.
- ▶ Otherwise, the plastic may break, and cause body damage, electric shock, or fire.



### Maintenance of the Nozzle

- ▶ Press "Water Temp" for 3 seconds without occupying the seat, the nozzle will extend and can be cleaned with a soft brush.
- ▶ Do not try to pull the nozzle out with force, or the nozzle may break.



# PRODUCT OPERATION

## TROUBLESHOOTING

- ▶ If you experience any of the problems below, please follow the suggested solutions. If you continue to experience issues after trying the solutions, please consult with a qualified electrician or serviceman.
- ▶ For additional troubleshooting tips, please visit [www.LuxeBidet.com](http://www.LuxeBidet.com).

### Power button

Problem	Possible Causes	Possible Solutions
Toilet is not working	Blackout or loose socket	Check that power cord is plugged in
	Power off (Power indication light not on)	Press power button until indication light turns on
	Electric leakage	Unplug power cord, re-connect, then power on. If it is still not working, please unplug again and contact us on <a href="http://www.LuxeBidet.com">www.LuxeBidet.com</a> .

### Wash functions

Problem	Possible Causes	Possible Solutions
Water does not spray	No water in the supply	Wait for the water to restore to its normal levels
	Water supply is turned off	Turn water supply valve to turn on water
	Filter is stuck	Clean or replace filter
	Water hose is twisted	Stretch hose until it becomes untwisted
Water pressure is weak	Water level is set to LOW	Turn up water level to higher setting
	Filter is stuck	Clean or replace filter
Spray is off-center	Operational failure	Unplug device and re-plug in after 1 min.
Water is not warm	Water temp. is set to LOW	Turn up water temp. level to higher setting
Water is leaking	Parts are loose or damaged	Contact us at <a href="http://www.LuxeBidet.com">www.LuxeBidet.com</a>
Wash function does not activate	Check if the seat is lifted or sitting on something	Fix seat so it is flush on the bowl and remove any objects underneath
	Body sensor is broken	Contact us at <a href="http://www.LuxeBidet.com">www.LuxeBidet.com</a>

# PRODUCT OPERATION

## TROUBLESHOOTING (cont.)

### Dryer

Problem	Possible Causes	Possible Solutions
Dryer is not warm	Dryer temp. is set to OFF	Turn up dryer temp. to higher setting
	Dryer is broken	Contact us at <a href="http://www.LuxeBidet.com">www.LuxeBidet.com</a>
Dryer stops during use	Dryer will stop every 4 mins	Enable dryer again

### Heated Seat

Problem	Possible Causes	Possible Solutions
Seat temp. not warm	Seat temp. is set to OFF	Turn up seat temp. to higher setting
	Power-saving mode on	Turn off power-saving mode

### Other

Problem	Possible Causes	Possible Solutions
Lid or seat closes fast	Damping is broken	Contact us at <a href="http://www.LuxeBidet.com">www.LuxeBidet.com</a>
Functions work in turns nonstop	QA testing model activated	Unplug device and re-plug in after 1 min.

# PRODUCT INFORMATION

## SPECIFICATIONS

<b>Model Number</b>	E890	
<b>Rated Voltage</b>	AC 120V, 60Hz	
<b>Rated Power</b>	1140W	
<b>Length of Power Cord</b>	3.9 ft	
<b>Circuit Breaker</b>	Within 10mA 0.1 second	
<b>Wash</b>	<b>Posterior</b>	0.17 gal/min
	<b>Feminine</b>	0.17 gal/min
	<b>Heat Capacity</b>	1140W
	<b>Safety Feature</b>	Temperature switch
<b>Dry</b>	<b>Air Temperature</b>	Room temp. ~ 131 °F
	<b>Heat Capacity</b>	140W
	<b>Safety Feature</b>	Thermal fuse, Bimetal
<b>Heated Seat</b>	<b>Seat Temperature</b>	82.4 °F ~ 104 °F
	<b>Heat Capacity</b>	30W
	<b>Safety Feature</b>	Thermal fuse
<b>Fire Protection</b>	<b>Seat</b>	5VA
	<b>PCB Borad Shell</b>	V-0
<b>Water Supply</b>	<b>Way of Connection</b>	Direct Connection to Tap Water
	<b>Water Pressure</b>	11.6 psi ~ 101.5 psi
<b>Dimensions</b>	<b>Elongated</b>	20.43" x 17.72" x 5.24"

# PRODUCT INFORMATION

## MODEL COMPARISON CHART

Type	Function	Model E850	Model E890
<b>Wash</b>	<b>Turbo Wash</b>	•	•
	<b>Auto Wash</b>	•	•
	<b>Feminine Wash</b>	•	•
	<b>Oscillating Wash</b>	•	•
	<b>Adjustable Pressure</b>	•	•
	<b>Adjustable Temp.</b>	•	•
	<b>Hot / Cold Massage</b>	•	•
	<b>Nozzle Self-Cleaning</b>	•	•
	<b>Nozzle UV Sterilization</b>	•	•
	<b>Turbo Flush</b>	•	•
	<b>Adjustable Nozzle Position</b>	•	•
	<b>Comfort</b>	<b>Slow Close Lid/Seat</b>	•
<b>Adjustable Seat Temp.</b>		•	•
<b>Adjustable Air Temp.</b>		•	•
<b>Convenience</b>	<b>Warm Air Dryer</b>	•	•
	<b>Seat Sensor</b>	•	•
	<b>Off/Power</b>	•	•
	<b>Business Mode</b>	•	•
	<b>Quick Installation</b>	•	•
	<b>Quick Uninstallation</b>	•	•
	<b>Night Light</b>	•	•
	<b>UV Sterilization</b>	•	•
<b>Safety</b>	<b>Memory</b>	•	•
	<b>Leakage Protection</b>	•	•
	<b>Fire Proof Materials</b>	•	•
	<b>Nano Anti-Bacterial</b>	•	•
	<b>Water Filter</b>	•	•
	<b>Factory Setting Restore</b>	•	•
	<b>Air Separation</b>	•	•
	<b>Operation Mode</b>	•	•
<b>Draining Mode</b>	•	•	

# WARRANTY

## 18 MONTH LIMITED WARRANTY

All Luxe Bidet® products by 2Go Products, LLC are carefully tested before shipment by the Manufacturer, who warrants this product to be free from defects in material and workmanship for a period of eighteen (18) months from the original purchase date.

### THIS WARRANTY EXCLUDES THE FOLLOWING -

1. Replacement of discolored or damaged parts as a result of the use of strong cleaning or disinfecting chemicals.
2. Damage to, or malfunction of, the unit resulting from improper installation, negligence, misuse, abuse or tampering by an unauthorized repair personnel.
3. Under no circumstances will 2Go Products, LLC be held liable for any loss or damage directly, consequentially or incidentally arising out of the use of, or inability to use, this product (some states do not allow this exclusion).
4. The owner of the bidet should immediately stop using and uninstall the bidet if there is even the slightest leaking or dripping detected anywhere due to the bidet. Leakage can be the result of incompatible toilet fittings, improper installation, and/or old or damaged parts.
5. Exposure to extreme temperatures, strong chemicals (such as bleach, hydrochloric acid, etc.), or high water pressure can cause damage to various parts of the bidet and result in leaking or flooding. Therefore, the owner hereby releases the Manufacturer and Distributors of Luxe Bidet™ from any and all claims for bodily and/or property damage resulting from such conditions.
6. Damage or loss resulting from electrical surges, electrical outages, lightning strikes or other acts which are not the fault of 2Go Products, LLC or of the product.
7. The owner hereby releases the 2Go Products, LLC from any and all claims against damages to the property or the bidet resulting from misuse, improper installation, inadequate maintenance, or exposure to extreme temperature, water pressure or strong chemicals.

**Attention:** Register your bidet at [www.LuxeBidet.com](http://www.LuxeBidet.com) for customer support concerning warranty claims, returns, and technical assistance.

# CONTACT US

If you have any questions or comments, please feel free to reach out to our customer care at any time and we will be able to assist you further. Thank you for choosing Luxe Bidet®

**LUXE** *Bidet*®

**Luxe Bidet HQ**  
**7770 Regents Rd. 113-632**  
**San Diego, CA 92122**  
**United States**  
**[www.LuxeBidet.com](http://www.LuxeBidet.com)**

**Contact Us**  
**Email: [customercare@luxebidet.com](mailto:customercare@luxebidet.com)**  
**Phone: 1.858.360-7780**